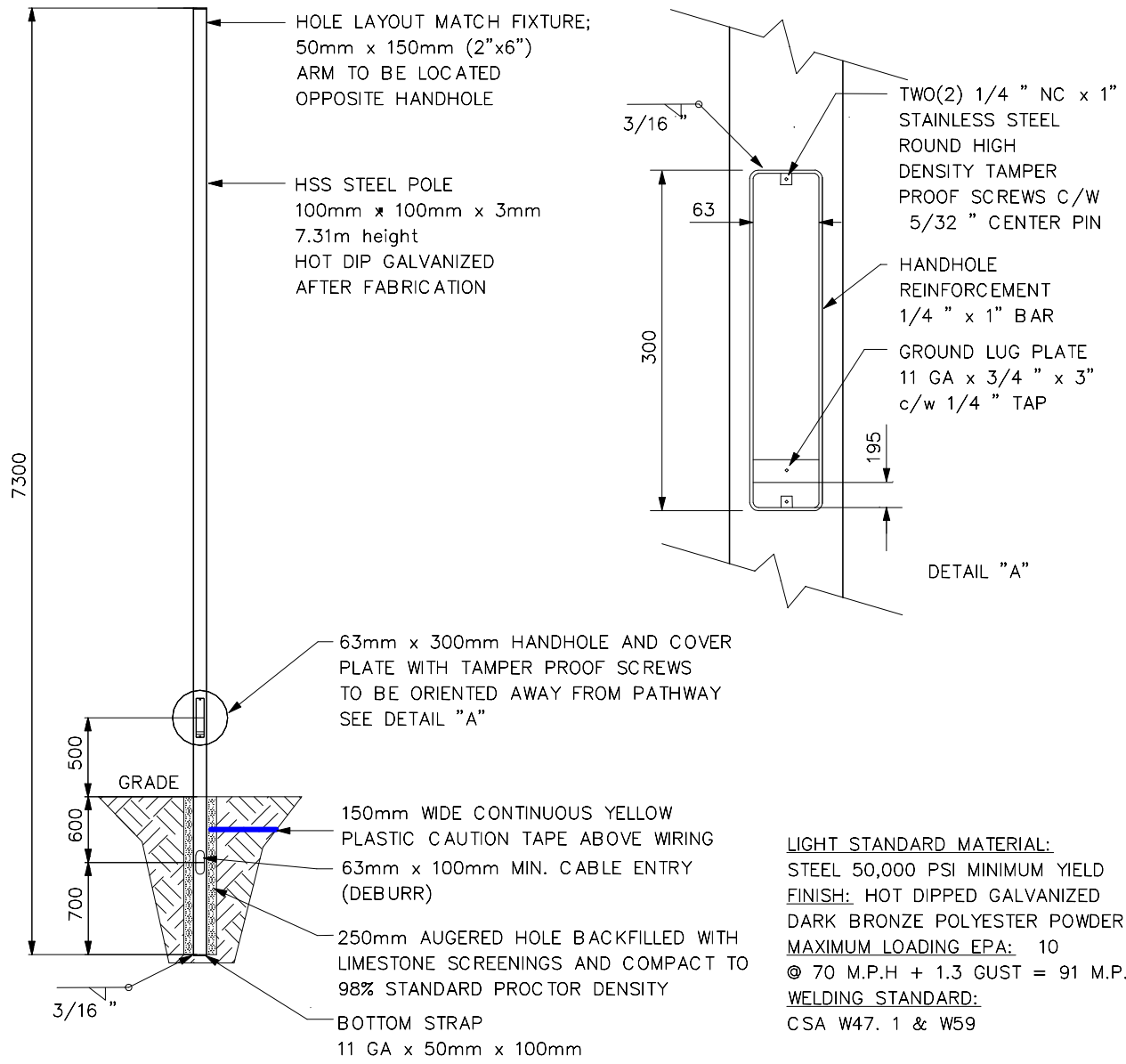


# STANDARD PARK PATH LIGHT POLE



**NOTES:**

1. ALL DIMENSIONS ARE IN MILLIMETRES UNLESS OTHERWISE NOTED
2. POLES TO BE HOT DIP GALVANIZED AFTER FABRICATION.
3. ARRANGE INSPECTIONS OF WORK PER SPECIFICATION.

**NO. REVISION DATE**

1. 22APR04 ADD CAUTION TAPE AND INSPECTION NOTE



SCALE: N.T.S.  
DATE: April 22, 2004  
DRAWN BY: P & H  
NUMBER: 16530-6