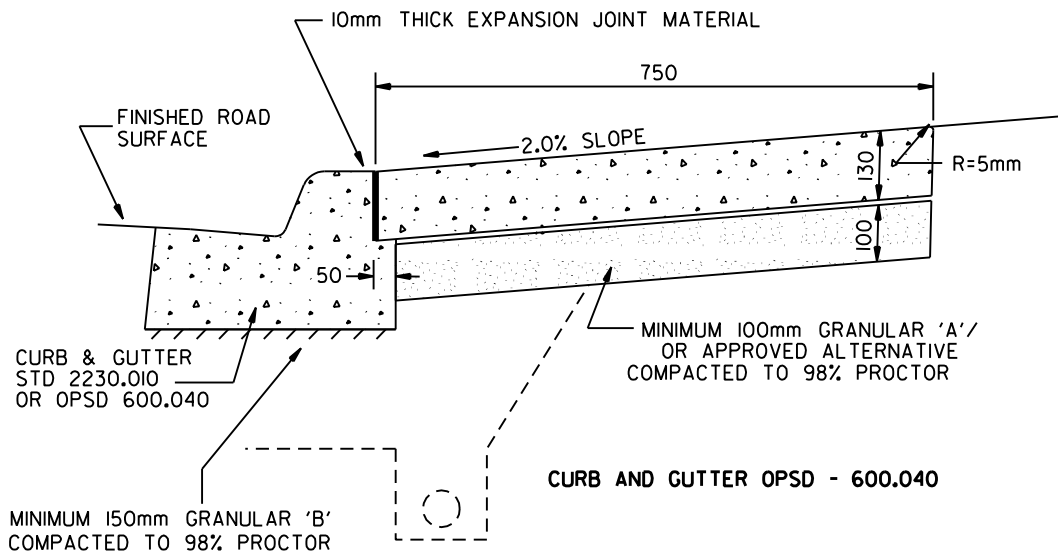
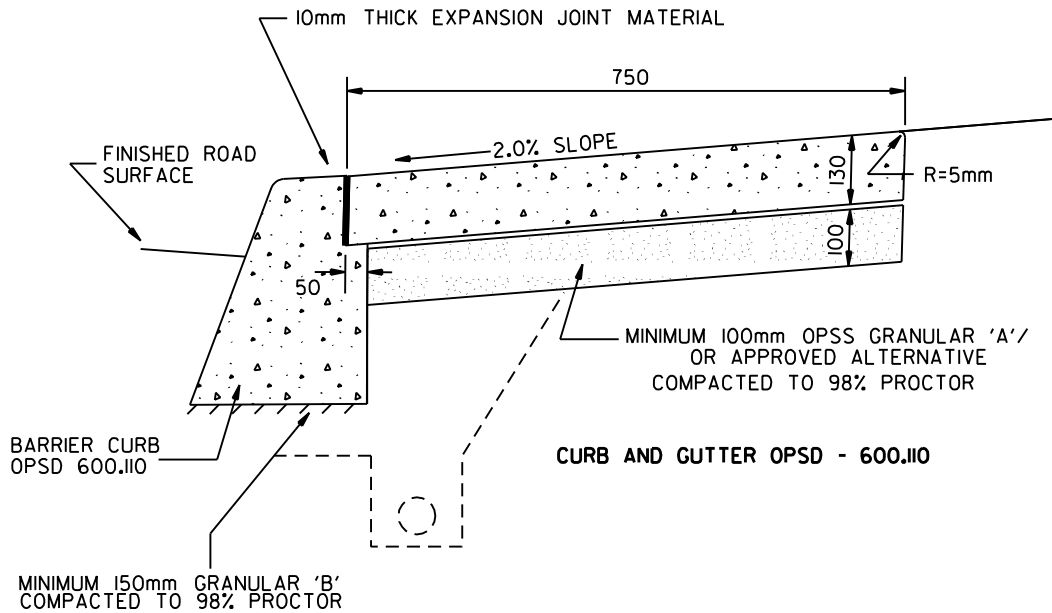


METRIC
ALL DIMENSIONS IN MILLIMETRES



NOTES:

1. CONCRETE TO BE AS PER OPSS I350
2. BEDDING TO BE SPECIFIED.
3. THIS STANDARD TO BE READ IN CONJUNCTION WITH STD. 2240.010
4. AGGREGATE MATERIALS CONTAINING RECLAIMED PORTLAND CEMENT AND/OR RECLAIMED ASPHALT PAVEMENT MAY ONLY BE USED IN NON-LOAD BEARING AREAS. THE FINAL BLEND SHALL NOT CONTAIN MORE THAN 30% PERCENT BY MASS OF ASPHALT COATED PARTICLES AS DETERMINED BY PERCENTAGE OF ASPHALT COATED PARTICLES, LS621.



STANDARD
CONCRETE SPLASH
PAD

EFF. DATE	2002-01-01	SCALE	N.T.S.
REV.	4	2009-01-06	STANDARD No. 2240.041