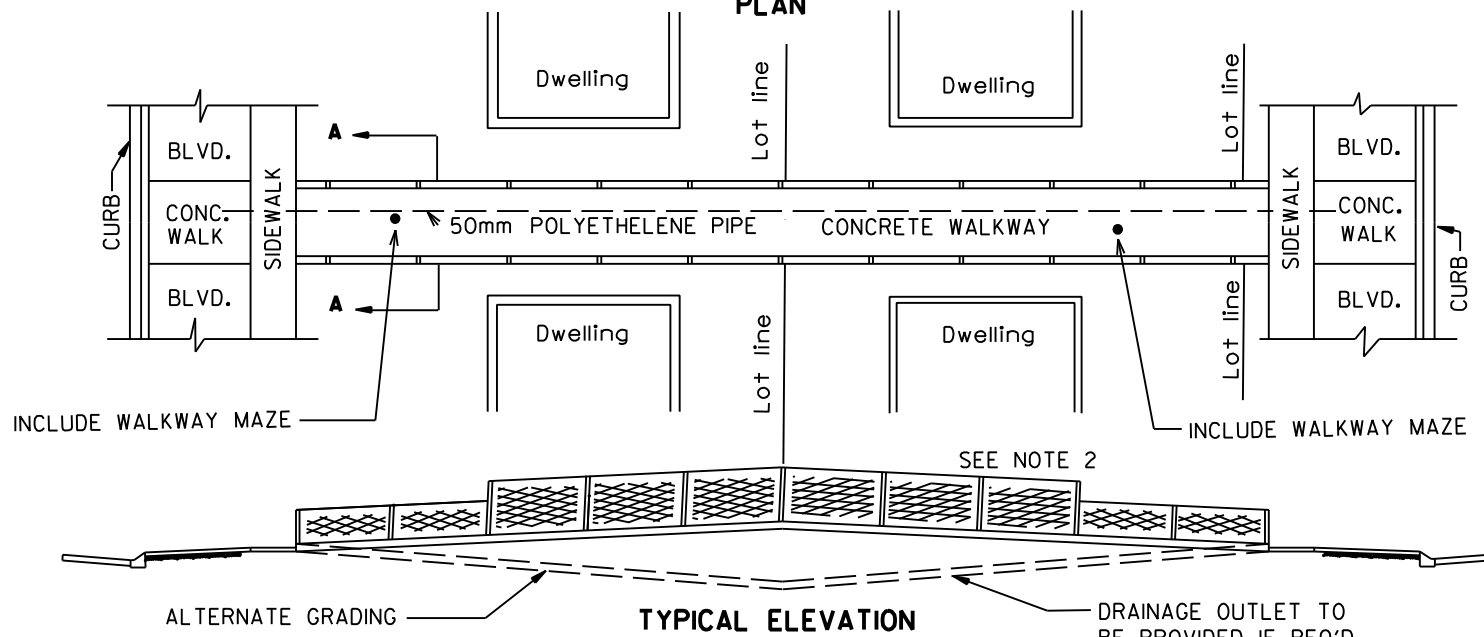


PLAN

METRIC
ALL DIMENSIONS IN MILLIMETRES



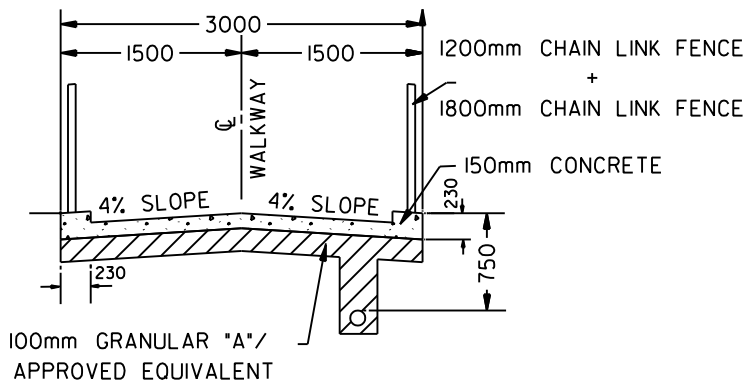
TYPICAL ELEVATION

MIN.GRADE 0.5%
MAX. GRADE 6.0%

DRAINAGE OUTLET TO
BE PROVIDED IF REQ'D.

NOTES

1. ALL CONCRETE TO BE IN ACCORDANCE WITH OPSS 35I. REFER ALSO TO CITY REQUIREMENT 2.02.04.02
2. 1200mm CHAIN LINK FENCE TO BE INSTALLED AS PER CITY STANDARD 2850.01 FROM STREET LINE TO THE FRONT OF THE DWELLING AND 1800mm CHAIN LINK FENCE TO BE INSTALLED FROM THE FRONT OF THE DWELLING TO REAR PROPERTY LIMITS
3. POST FOOTINGS TO BE CORED INTO CONCRETE CURB AND GROUTED INTO PLACE
4. PRIOR TO CONSTRUCTION OF ANY CONCRETE WALKWAY, HYDRO MISSISSAUGA REVIEW IS REQUIRED TO ASSESS LIGHTING REQUIREMENTS.
5. 50mm POLYETHELENE PIPE TO BE INSTALLED WITH WALKWAY WHICH JOINS A ROADWAY WITH GREENBELT, PARK OR SCHOOL LANDS.
6. EXPANSION JOINTS TO BE PROVIDED EVERY 6000mm, WALK TO BE SCORED EVERY 3000mm



SECTION A-A

N.T.S.



STANDARD
CONCRETE WALKWAY

EFF. DATE	2002-01-01	SCALE	N.T.S.
REV.	5	STANDARD No.	2240.050