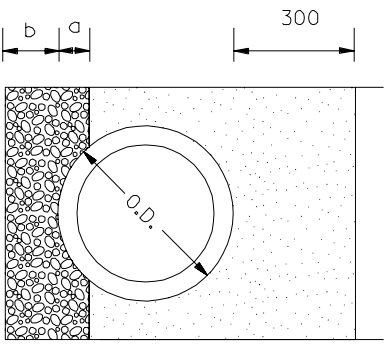
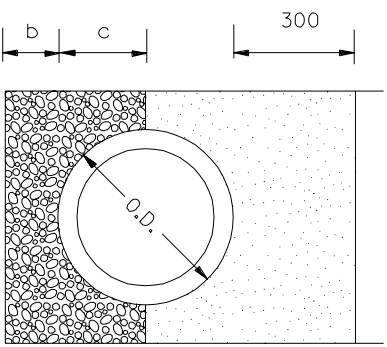


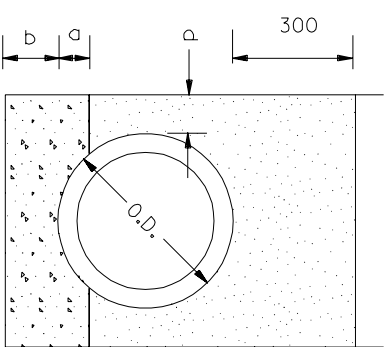
CLASS C  
LOAD FACTOR 1.5



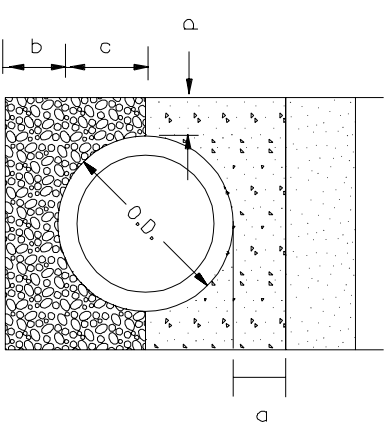
CLASS B  
LOAD FACTOR 1.9



CLASS A  
LOAD FACTOR 2.4



CLASS A-A  
LOAD FACTOR 2.8



LEGEND

-  CONCRETE
-  SEWER BEDDING
-  SAND COVER


- a = O.D./4 (100mm MIN. - 200mm MAX.)
- b = O.D./4 (100mm MIN. - 200mm MAX.)
- c = O.D./2
- d = O.D./8 (100mm MIN.)

F.S. (SAFETY FACTOR) = 1.5 FOR NON-REINFORCED PIPE  
= 1.0 FOR REINFORCED PIPE

$$\left[ \text{SAFE SUPPORTING STRENGTH OF PIPE} \right] = \left[ \text{ASTM-3 EDGE BEARING STRENGTH} \right] \times \left[ \text{LOAD FACTOR} \right] \times \text{F.S.}$$

1. O.D. NOT TO INCLUDE BELL.
2. THE TRENCH WIDTHS SHOWN SHALL BE MAINTAINED TO THE TOP OF PIPE.
3. CONCRETE TO BE 15MPa AT 28 DAYS.
4. THE PIPE BED IS TO BE CAREFULLY SHAPED TO RECEIVE THE LOWEST SEGMENT OF PIPE.
5. STONE SIZE WITHIN 300mm OF THE SURFACE OF THE PIPE SHALL NOT EXCEED 50mm.
6. COMPACTION OF ALL BEDDING AND COVER MATERIAL SHALL BE 95% STANDARD PROCTOR.
7. WHERE SHEATHING IS USED A BOND BREAKING MATERIAL IS REQUIRED BETWEEN CONCRETE BEDDING AND SHEATHING.
8. BEDDING MATERIAL SHALL CONFORM TO OPSS 1010 GRANULAR 'A' CITY STANDARD No. 2112.110 OR 2112.140 (WITH APPROVAL)
9. STANDARD SAND COVER MATERIAL SHALL CONFORM TO CITY OF MISSISSAUGA STANDARD No. 2112.100

INSIDE PIPE DIA. (mm)	MAX. TRENCH WIDTH (mm)	INSIDE PIPE DIA. (mm)	MAX. TRENCH WIDTH (mm)
250	1200	1200	2300
300	1200	1350	2600
375	1300	1500	2800
450	1400	1650	3100
525	1400	1800	3400
600	1500	1950	3600
675	1600	2100	3800
750	1700	2250	3900
825	1800	2400	4100
900	1900	2550	4300
975	2000	2700	4500
1050	2000	3000	4800



**MISSISSAUGA**  
Transportation and Works

STANDARD  
BEDDING FOR CONCRETE PIPE

EFF. DATE: 2002-01-01      SCALE: N.T.S.  
REV.      STANDARD No. 2112.080