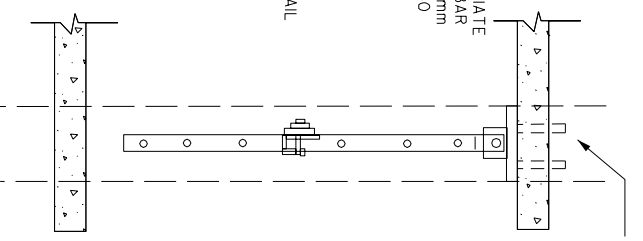
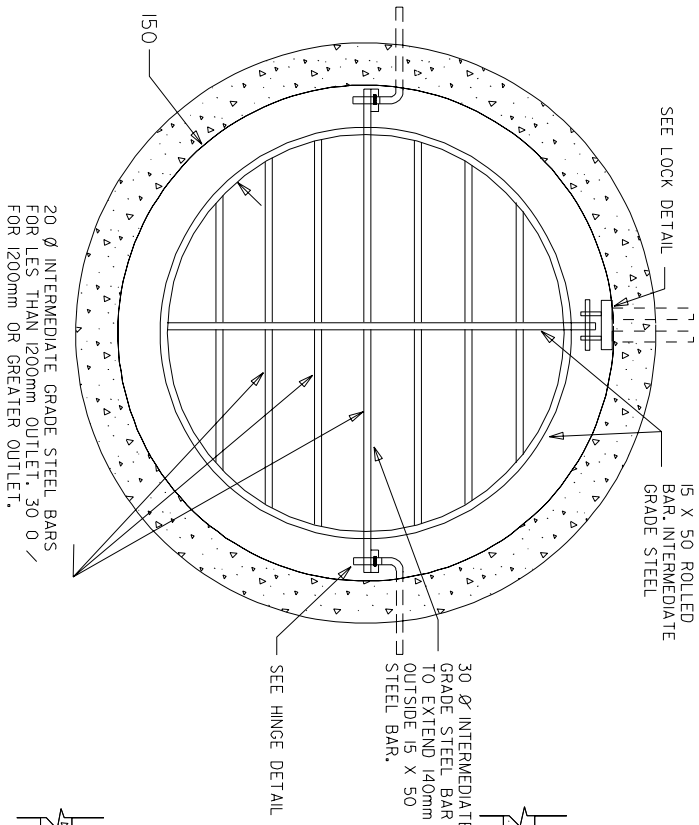
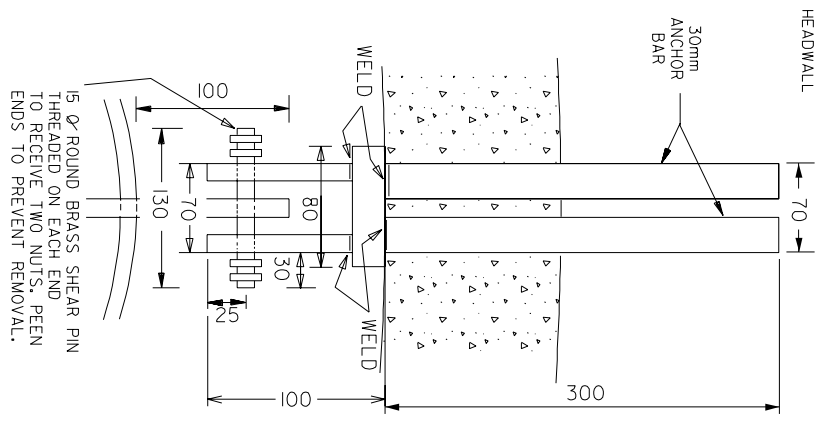


SEE LOCK DETAIL
15 X 50 ROLLED BAR, INTERMEDIATE GRADE STEEL

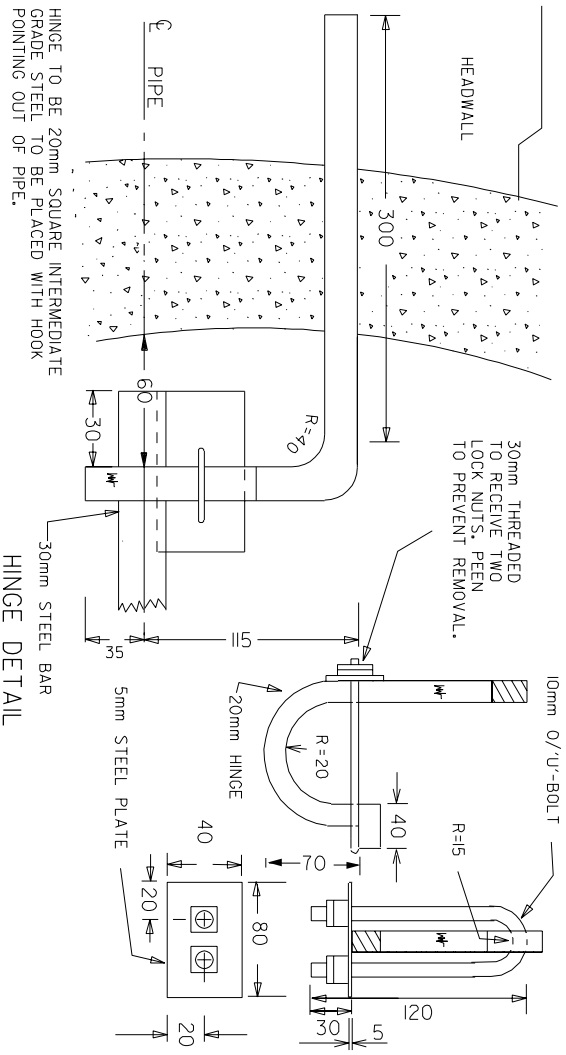


METRIC
ALL DIMENSIONS IN MILLIMETRES



15 Ø ROUND BRASS SHEAR PIN THREADED ON EACH END TO RECEIVE TWO NUTS, PEEN ENDS TO PREVENT REMOVAL.

LOCK DETAIL



NOTE

- GROUT TO BE A FAST DRYING WATERPROOF EPOXY CEMENT.
- ALL STEEL MATERIAL TO BE HOT DIP GALVANIZED AFTER FABRICATION.



STANDARD SWING GRATE FOR STORM INLETS 900 Ø TO 3650 Ø

EFF. DATE	2002-01-01	SCALE	N.T.S.
REV.		STANDARD No.	2112.130