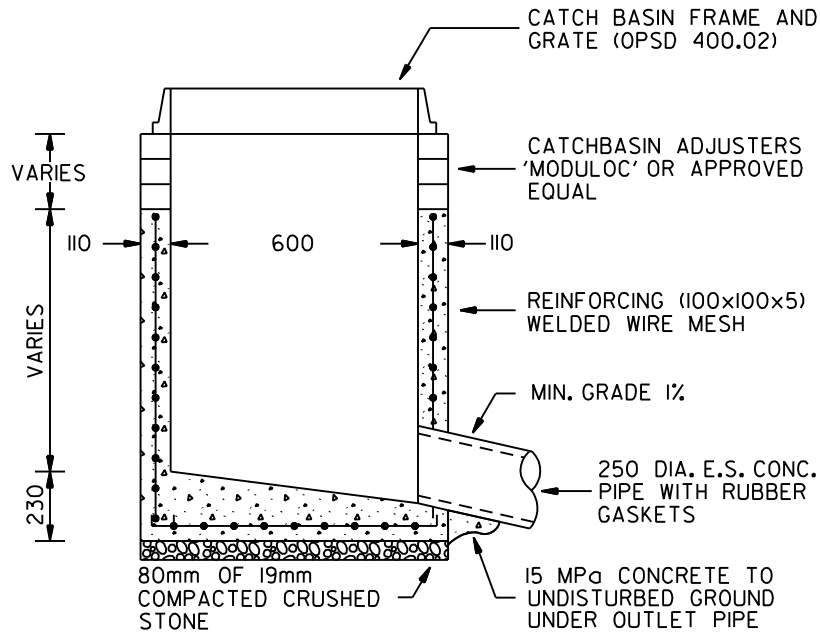
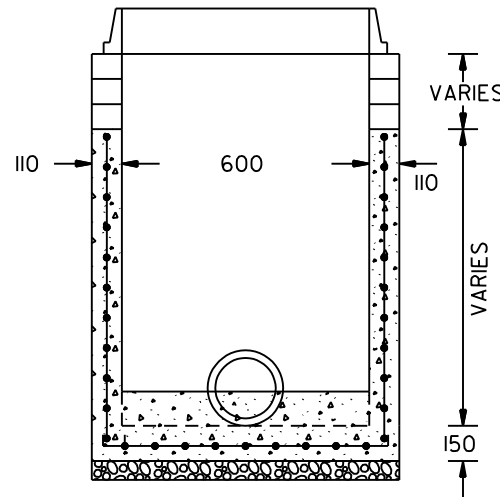


METRIC

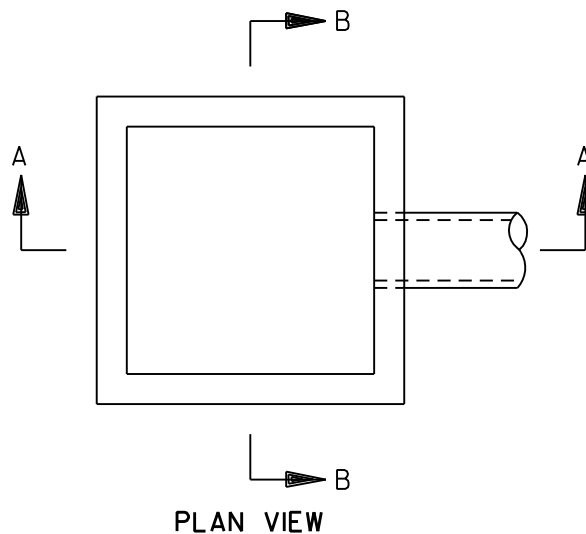
ALL DIMENSIONS ARE IN MILLIMETRES



SECTION A-A



SECTION B-B



PLAN VIEW

NOTES

1. CONCRETE TO BE 30MPa AT 28 DAYS
2. CATCHBASIN ADJUSTERS TO BE INSTALLED AS PER MANUFACTURERS RECOMMENDATION WITH A MINIMUM UNIT THICKNESS OF 50mm
3. ALL JOINTS AND LIFTING HOLES TO BE COMPLETELY FILLED WITH A 1:3 MORTAR MIX AND POINTED BEFORE BACKFILLING
4. IF FLEXIBLE PIPE (POLYVINYL CHLORIDE POLYETHYLENE) IS USED, A FLEXIBLE COUPLING IS TO BE INCLUDED IN THE PRE-CAST CATCHBASIN PVC SHALL CONFORM TO OPSS 1821.



**STANDARD
PRECAST CATCH BASIN
WITHOUT SUMP**

EFF. DATE	2002-01-01	SCALE	N.T.S.
REV.	5	2006-04-19	STANDARD No. 2114.010