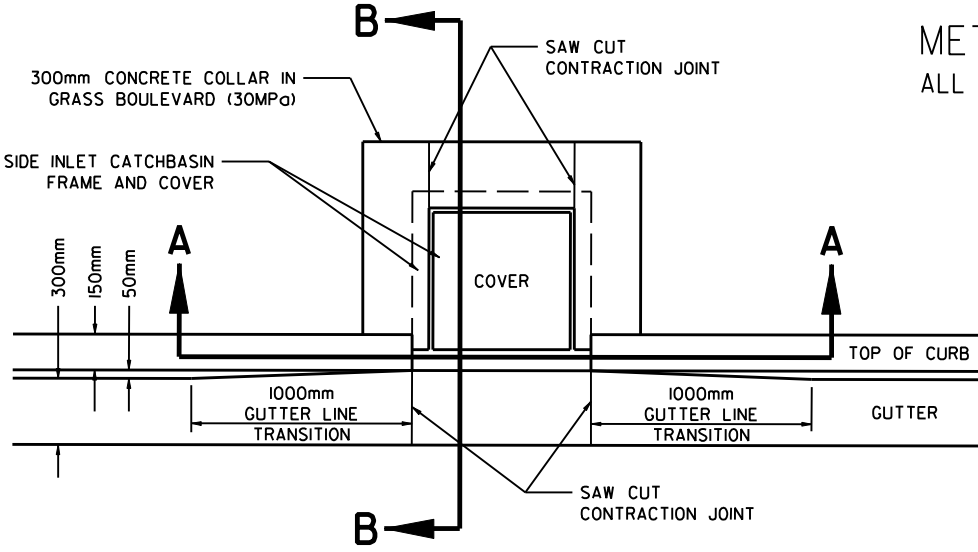
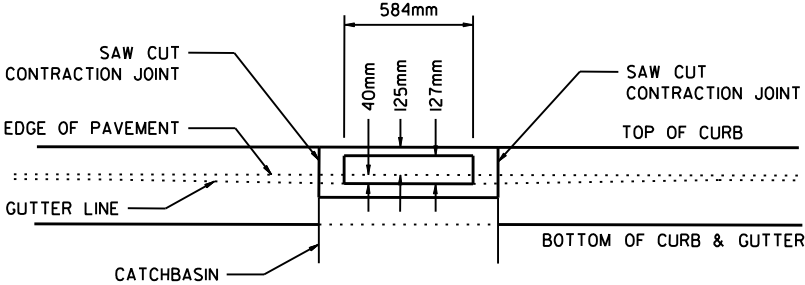


METRIC
ALL DIMENSIONS IN MILLIMETRES



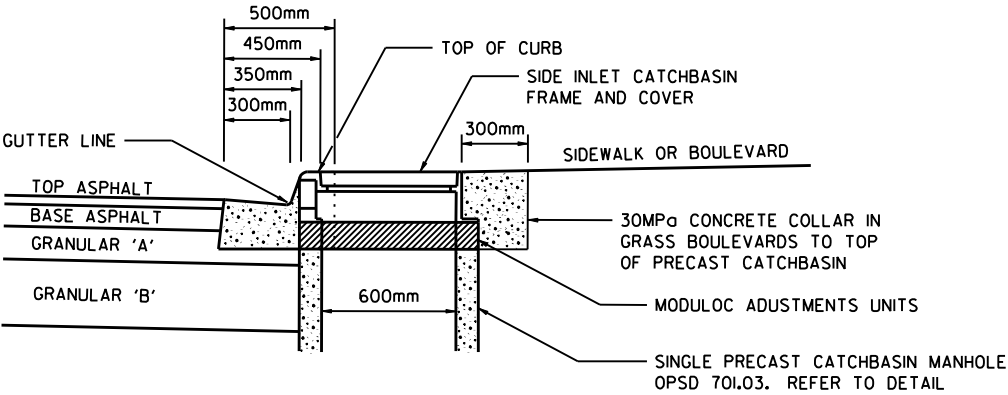
PLAN VIEW



SECTION 'A-A'

**SIDE INLET CATCHBASIN FRAME AND COVER
INSTALLATION DETAIL**

NTS



SECTION 'B-B'



DETAIL

SIDE INLET CATCHBASIN
(ONE OF TWO)

EFF. DATE	2007-12-12	SCALE	N.T.S.
REV.		STANDARD No.	2114.030