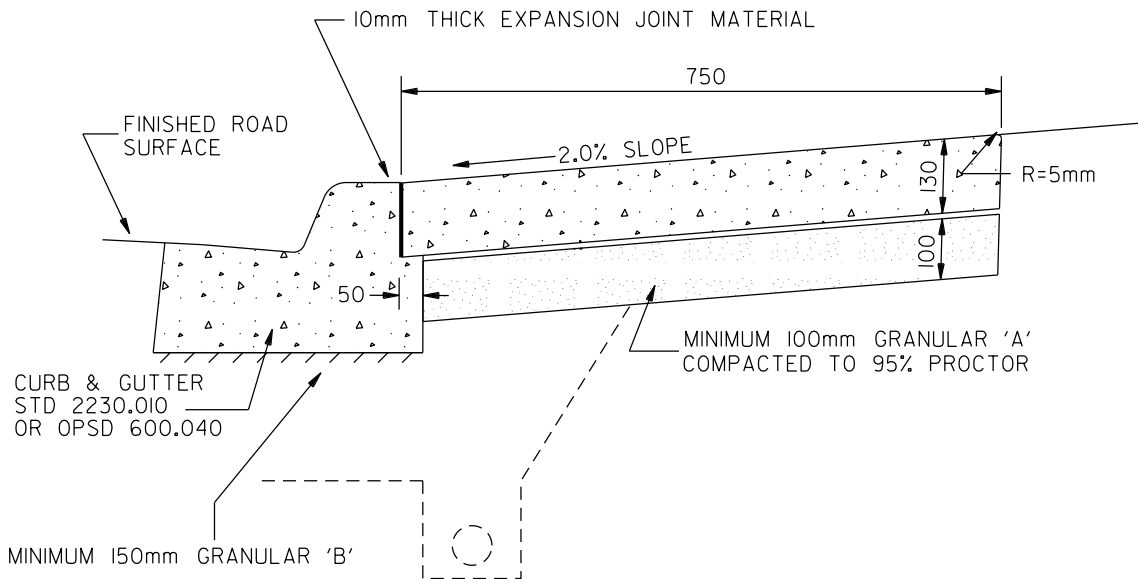
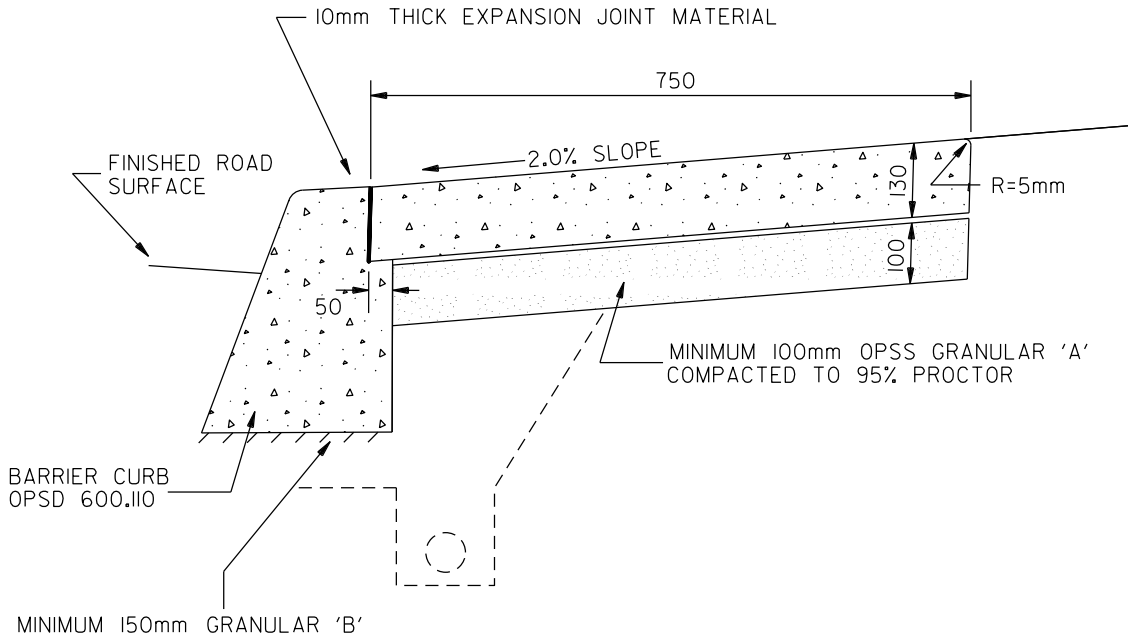


METRIC  
ALL DIMENSIONS IN MILLIMETRES



**NOTES:**

1. CONCRETE TO BE AS PER OPSS 351
2. BEDDING TO BE SPECIFIED.
3. THIS STANDARD TO BE READ IN CONJUNCTION WITH STD. 2240.010



MISSISSAUGA

STANDARD

CONCRETE SPLASH  
PAD

EFF. DATE	2015-03-30	SCALE	N.T.S.
REV.	4	2015-03-30	STANDARD No. 2240.041