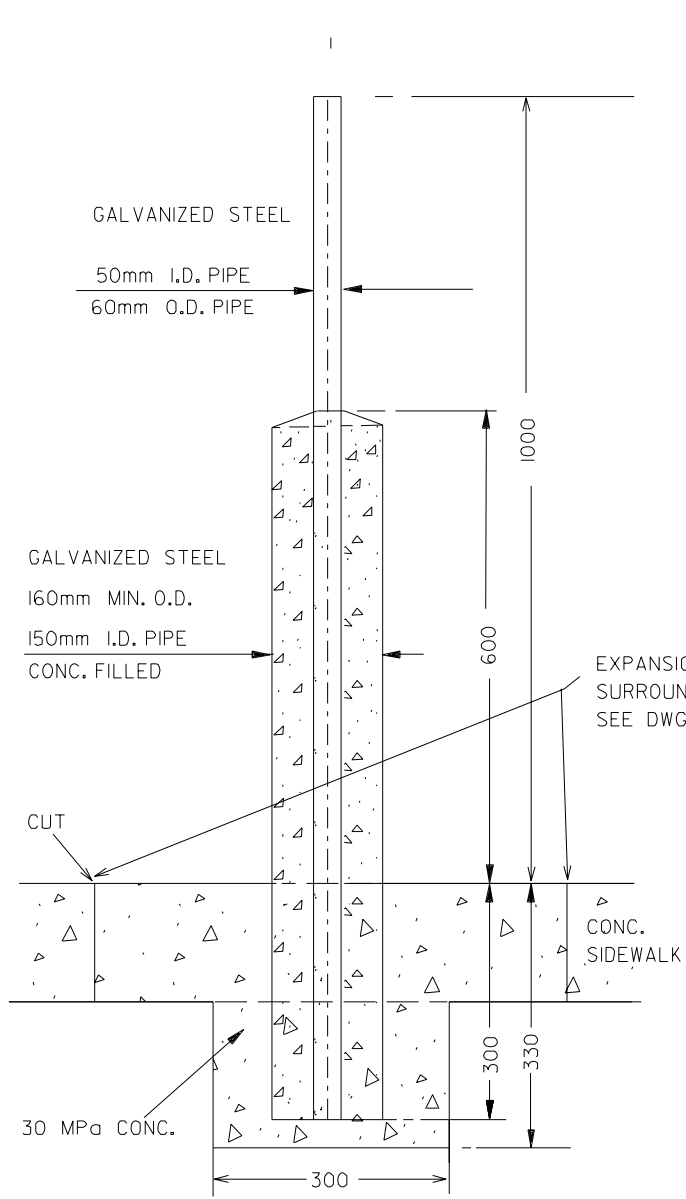
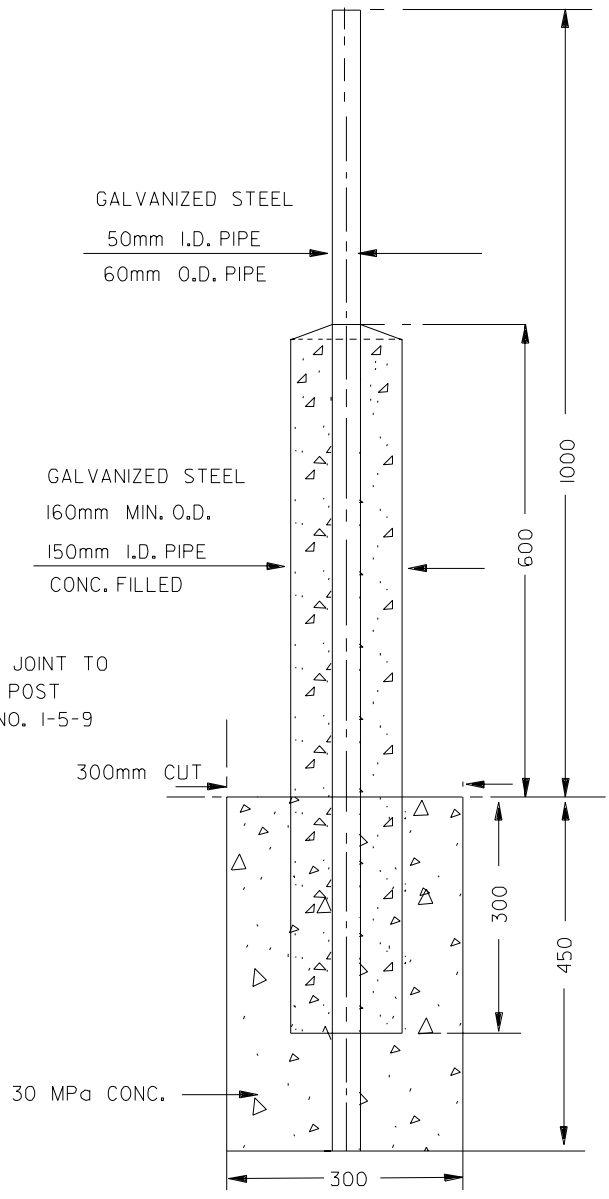


METRIC  
ALL DIMENSIONS IN MILLIMETRES



BUMPER TYPE  
CONCRETE SIDEWALK



BUMPER TYPE  
BOULEVARD OR ASPHALT SIDEWALK



STANDARD  
METER PEDESTAL  
INSTALLATION  
BUMPER TYPE

EFF. DATE	2002-01-01	SCALE	N.T.S.
REV.		STANDARD No. 2430.090	