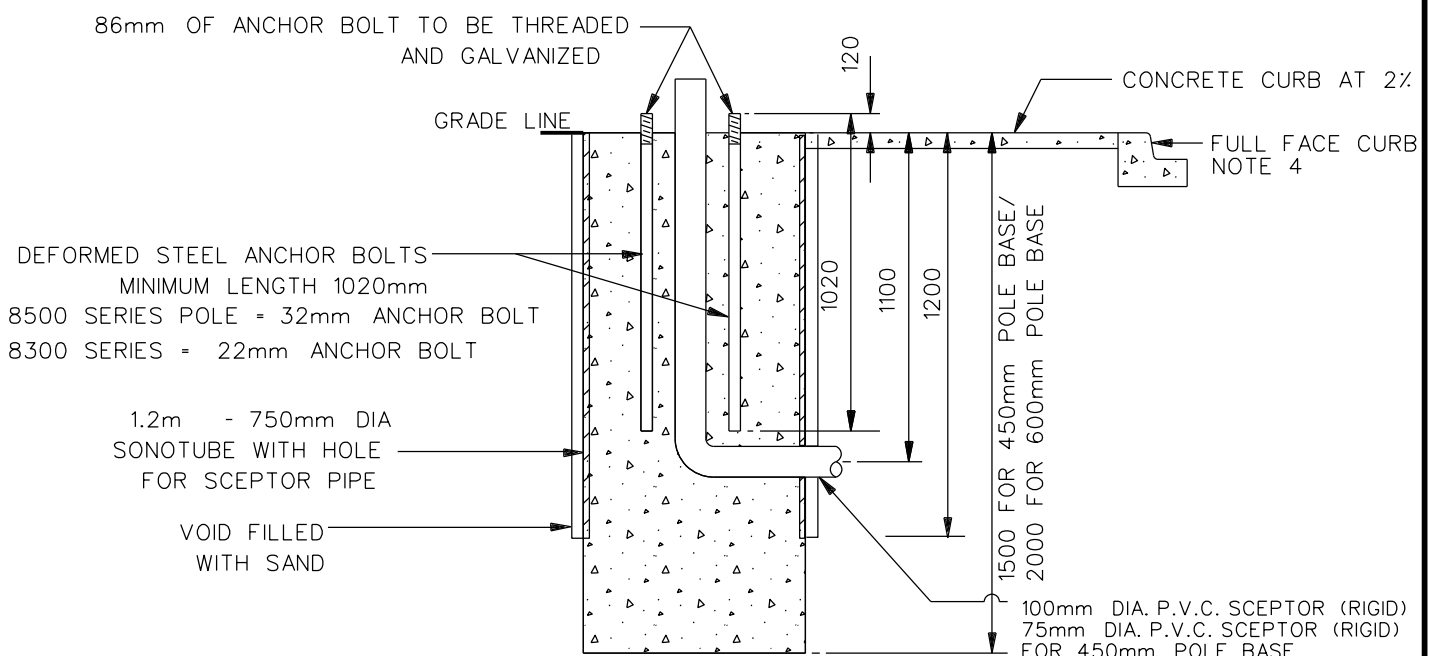
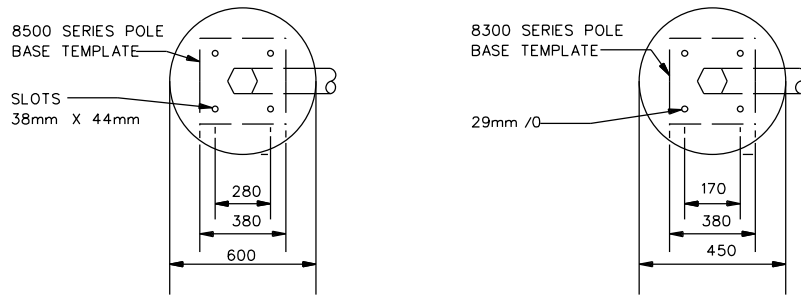



METRIC
ALL DIMENSIONS IN MILLIMETRES



NOTES:

1. CONCRETE SHALL BE CSA, C-2 32 MPa, 5-8% AIR CONTENT CONCRETE
2. A TEMPLATE IS TO BE PLACED OVER THE TOP OF THE BASE TO MAINTAIN THE SPACING & ELEVATION OF THE ANCHOR BOLTS & THE SCEPTOR PIPE AS THE CONCRETE SETS
3. TEMPLATE AND ANCHOR BOLTS ARE TO BE PLACED AS CONCRETE SETS
4. POLE BASES TO BE INSTALLED AT 2% GRADE FROM TOP OF CURB UNLESS OTHERWISE NOTED
5. ONE (1) NUT TO BE SUPPLIED WITH EACH ANCHOR BOLT
6. POLE BASES TO BE INSTALLED USING HYDRO-VAC PRESSURIZED WATER VACUUM METHOD ONLY
7. ALL CONCRETE SHALL BE THOROUGHLY COMPACTED BY MEANS OF APPROVED VIBRATORS. THE VIBRATOR SHALL CONSOLIDATE THE FULL DEPTH AND WIDTH OF THE CONCRETE TO A UNIFORM MASS WITHOUT SEGREGATION AND FREE FROM EXCESSIVE SURFACE MORTAR AT A SINGLE PASSAGE OF THE VIBRATING MACHINE



**POLEBASE FOR COMBINATION
 OF TRAFFIC SIGNAL AND
 STREETLIGHT POLES**

EFF. DATE		SCALE	N.T.S.
REV.	4	2020-04-06	STANDARD No. 2600.040