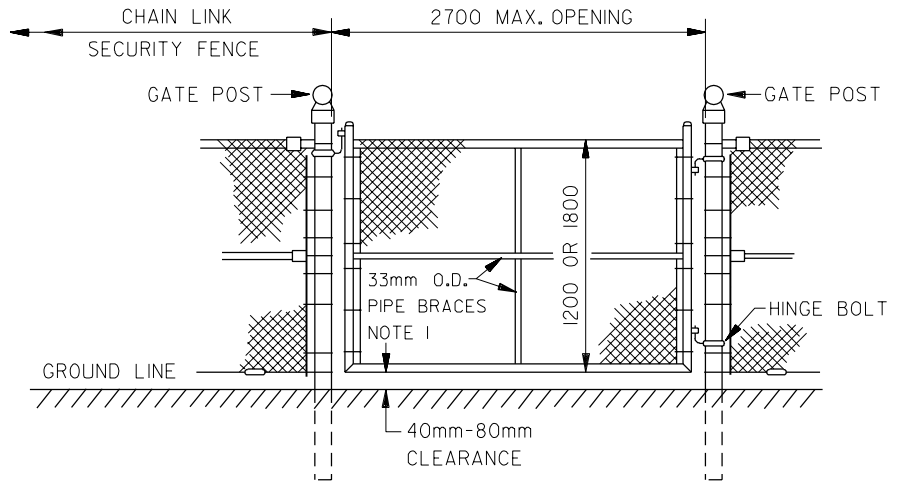
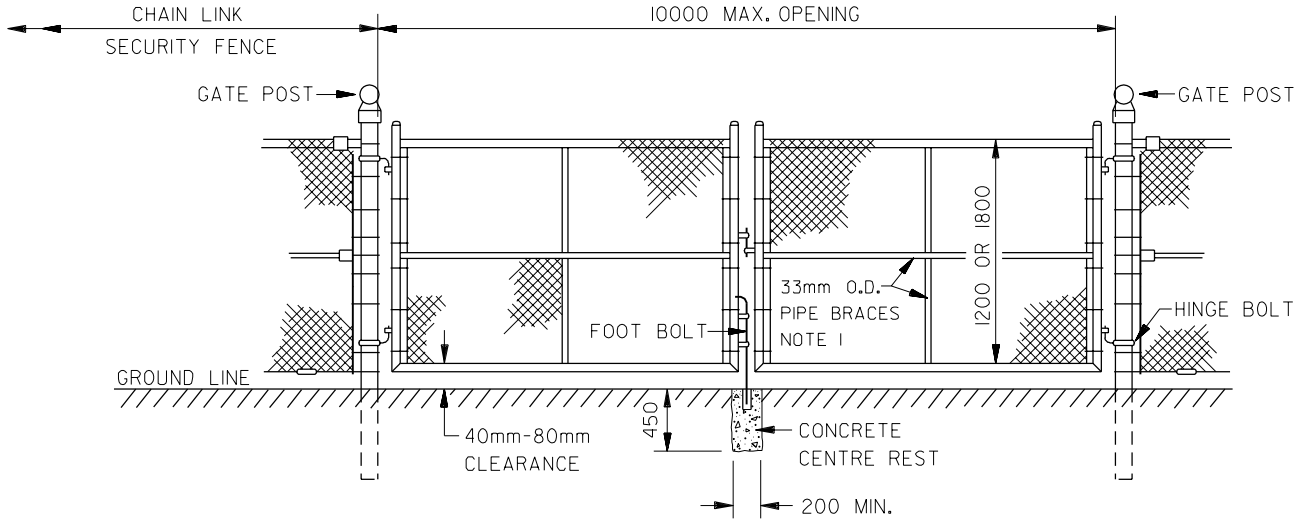


METRIC

ALL DIMENSIONS IN MILLIMETRES



NOTES:

1. PIPE BRACES:
GATE LEAVES UP TO 1800mm WIDE HORIZONTAL BRACE ONLY

GATE LEAVES OVER 1800mm WIDE BOTH HORIZONTAL AND VERTICAL BRACES.
2. THIS STANDARD TO BE USED IN CONJUNCTION WITH 2850.01
3. ALL MATERIAL SHALL BE BLACK VINYL



STANDARD
CHAIN LINK
SECURITY GATE

| | | | |
|-----------|------------|--------------|----------|
| EFF. DATE | 2002-01-01 | SCALE | N.T.S. |
| REV. | | STANDARD No. | 2850.020 |