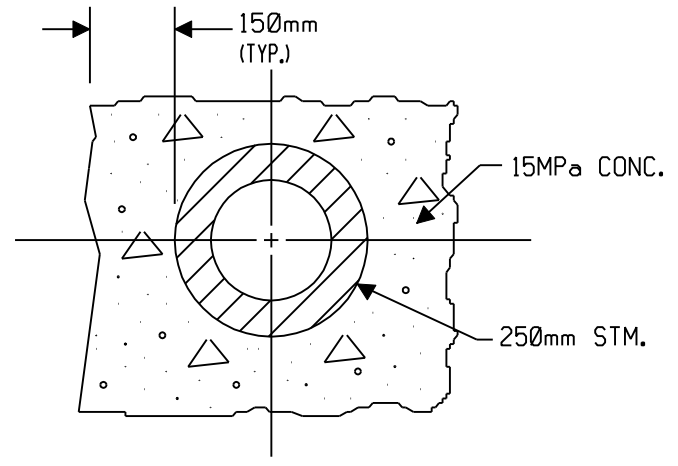
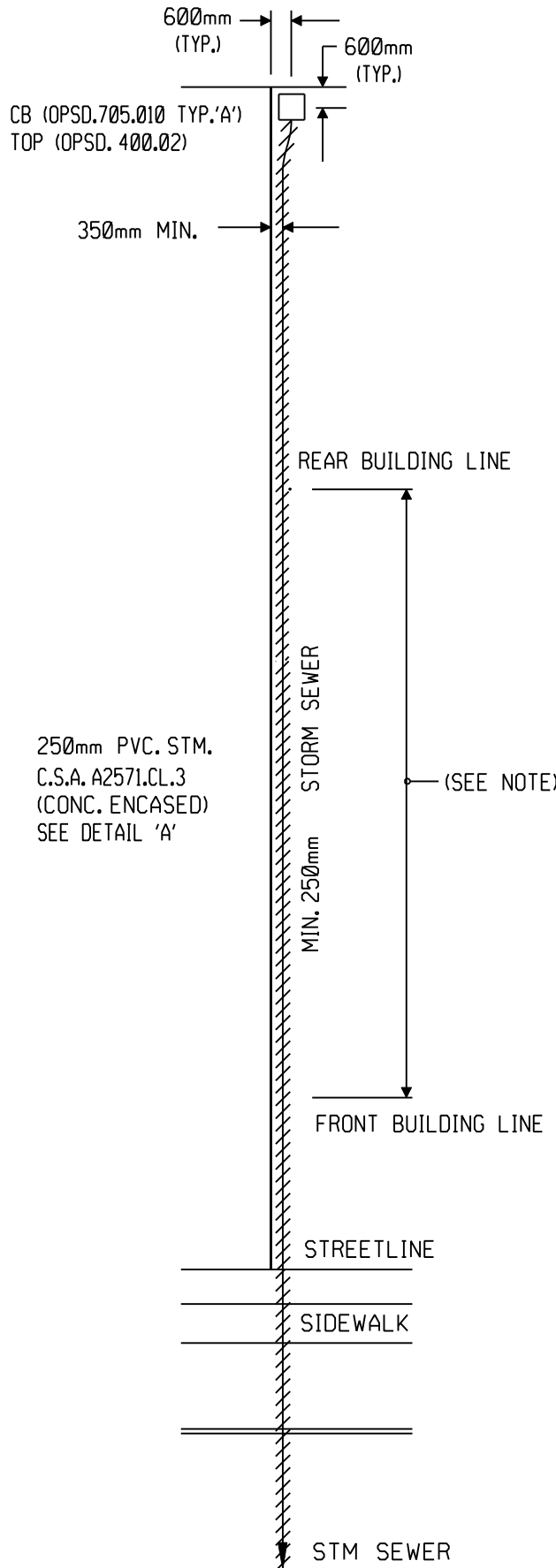


**METRIC**  
ALL DIMENSIONS IN MILLIMETRES




**NOTES :**

1. REAR LOT CATCHBASIN LEAD SHALL BE CONC. ENCASED.
2. IF PVC STORM SEWER USED CONCRETE ENCASEMENT TO BE FOR FULL LENGTH OF LOT/BLOCK FROM CB TO MAINLINE SEWER

DETAIL 'A'  
CONCRETE ENCASEMENT

TYPICAL REAR LOT CATCHBASIN DETAIL

 <b>MISSISSAUGA</b> <i>Leading today for tomorrow</i>			
<b>STANDARD</b>			
<b>REAR LOT CATCHBASIN AND LEAD</b>			
EFF. DATE	2006-01-01	SCALE	N.T.S.
REV.	I	STANDARD No.	2851.070