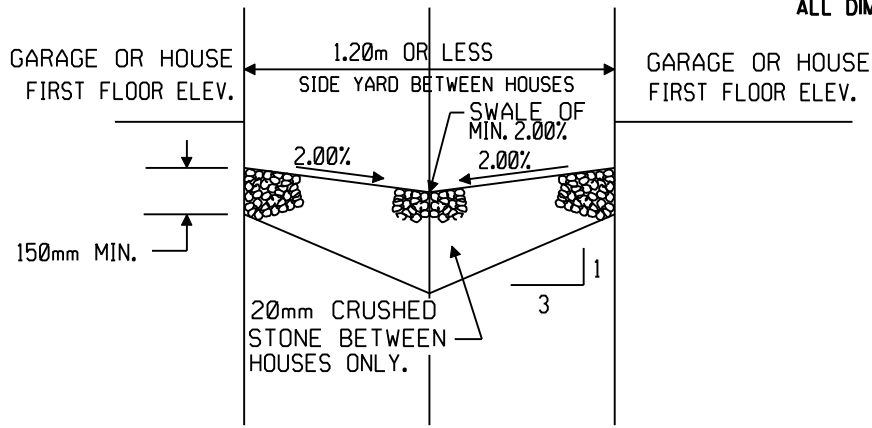


METRIC

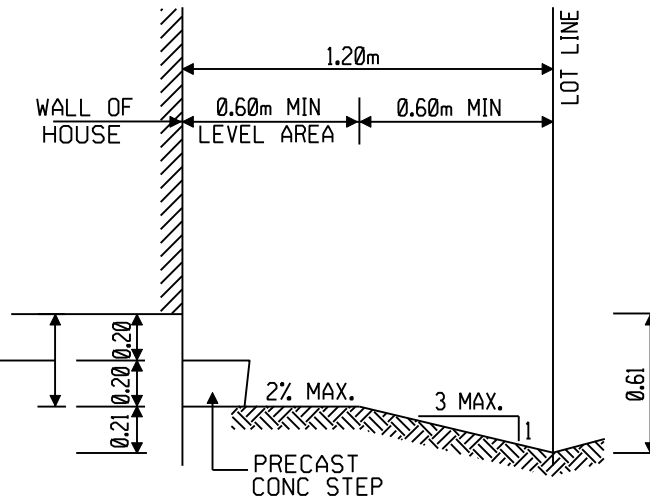
ALL DIMENSIONS IN MILLIMETRES



DETAIL "A"
TYPICAL SIDE YARD TREATMENT
SIDE SWALE WITH LESS THAN 1.20m
BETWEEN FACE OF BUILDINGS

N.T.S.

NOTE:
 THE DIFFERENCE IN GRADE
 BETWEEN THE TOP OF DOOR
 SILL AND GROUND ELEVATION
 SHALL NOT EXCEED 0.40m



DETAIL "B"
TYPICAL SIDE YARD DRAINAGE
AT SIDE DOOR

N.T.S.



STANDARD

SIDE YARD SWALE/DRAINAGE
CROSS-SECTIONS

EFF. DATE	2006-01-01	SCALE	N.T.S.
REV.	1	STANDARD No.	2851.080