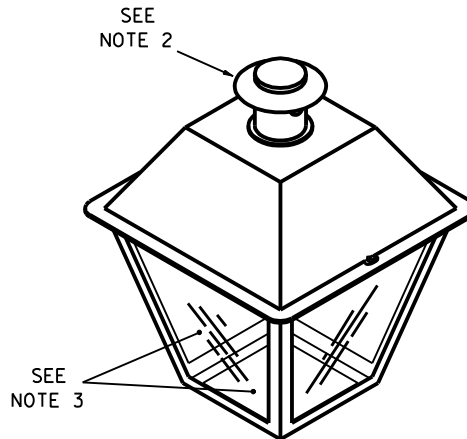
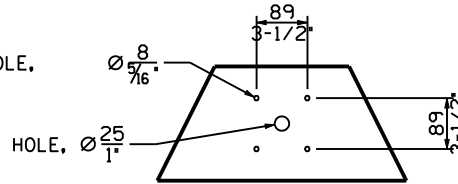


TOP VIEW

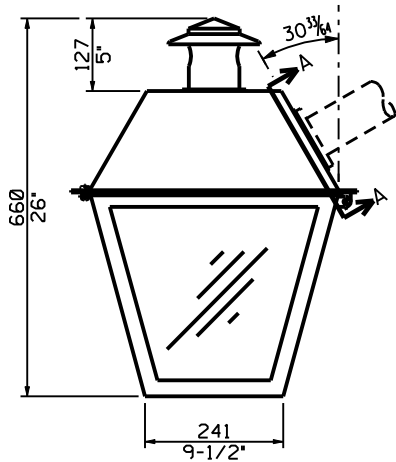


E.H.M. CAT. #18473 OR #18474

THREADED HOLE,



SECTION A-A;
MOUNTING HOLES



SIDE VIEW

NOTES:

1. MATERIALS AND STRENGTH SHALL BE PER APPLICABLE CSA STANDARD.
2. REMOVABLE HOUSING FOR PHOTOELECTRIC CONTROLLER C/W N.E.M.A. TWISTLOCK RECEPTACLE.
3. CLEAR POLYCARBONATE PANELS ON SIDES AND BOTTOM.
4. SAMPLE ABOVE OF COOPER INDUSTRIES, CAT. #SDLIOS4
5. ALL DIMENSIONS ARE TO THE NEAREST MANUFACTURER'S SPECIFICATIONS AND DIMENSIONS.
6. DIMENSIONS FOR SECTION A-A SHALL BE EXACTLY AS SHOWN.

METRIC/IMPERIAL

DIMENSIONS SHOWN IN METRIC AND IMPERIAL UNITS



MISSISSAUGA
Leading today for tomorrow

STANDARD

STREETLIGHTING - TYPICAL
SPRINGDALE LUMINAIRE

EFF. DATE	2002-01-01	SCALE	N.T.S.
REV.		STANDARD No.	3100.210