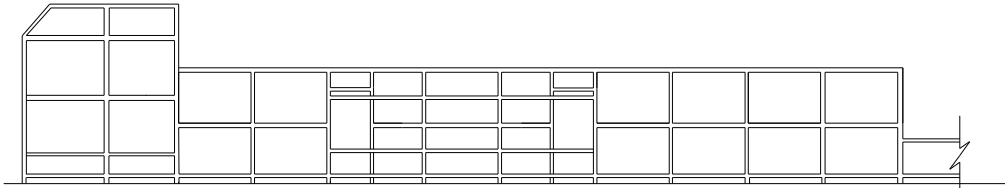


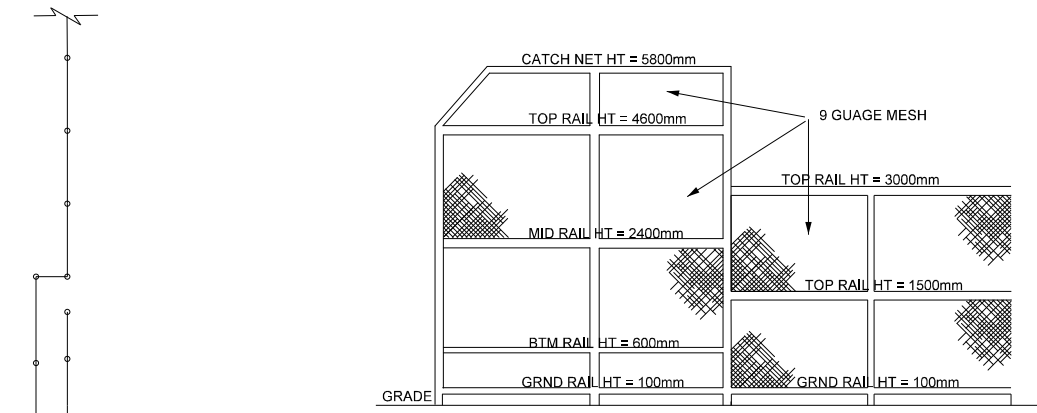
# 02831-22

Fencing  
Ball Backstop 4.6 m

**NOTE:**  
TO BE USED AS A GUIDELINE ONLY.  
NOT TO SCALE. REMOVE CITY TITLE BLOCK  
AND REDRAW TO REPRESENT SITE SPECIFIC  
CONDITIONS. ALL SITE SPECIFIC CONDITIONS  
ARE TO BE CONFIRMED BY THE PROJECT  
CONSULTANT.

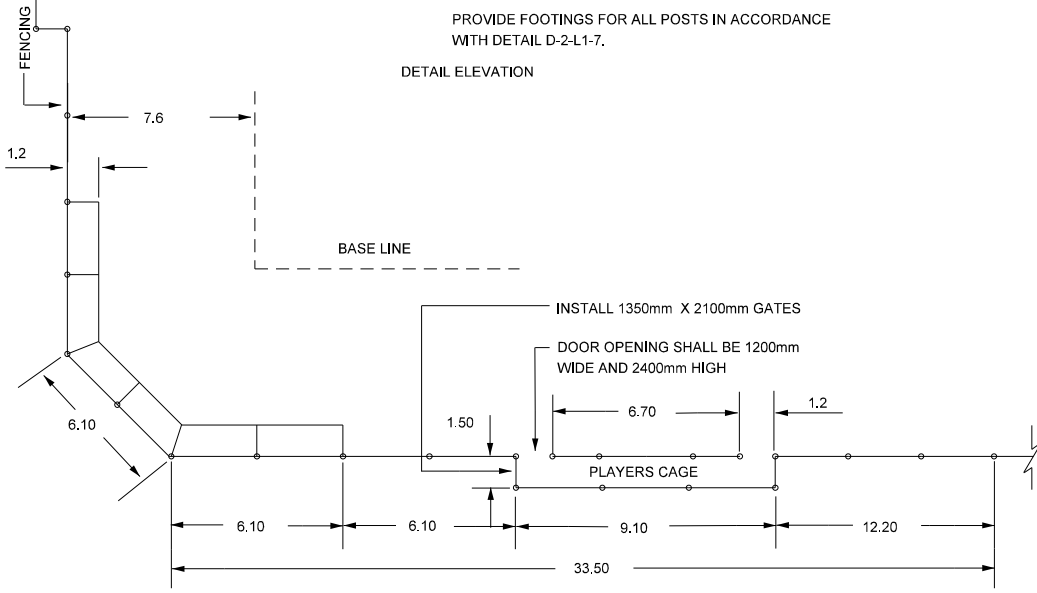


OVERALL ELEVATION



NOTE: FENCE AROUND PLAYERS CAGE IS 2100mm HIGH.  
TERMINAL POSTS SHALL BE INSTALLED AT ALL CHANGES  
IN DIRECTIONS AND AT ALL END OF FENCING.  
ALL MESH SHALL BE 50mm X 50mm.  
PROVIDE FOOTINGS FOR ALL POSTS IN ACCORDANCE  
WITH DETAIL D-2-L1-7.

DETAIL ELEVATION



LAYOUT PLAN

ALL DIMENSIONS GIVEN IN METRIC (IMPERIAL)

N.T.S.