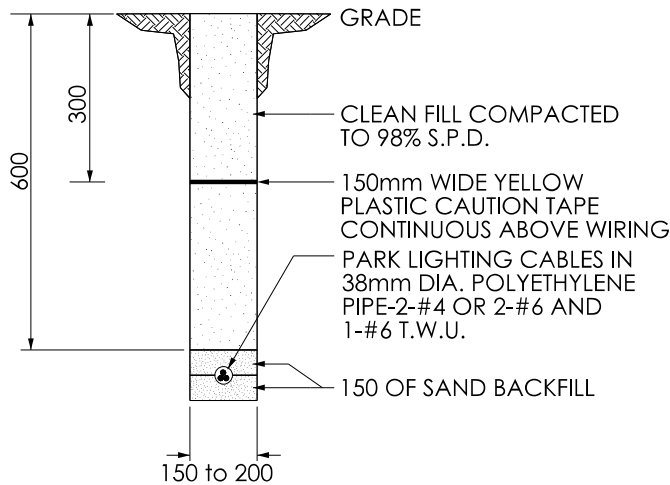
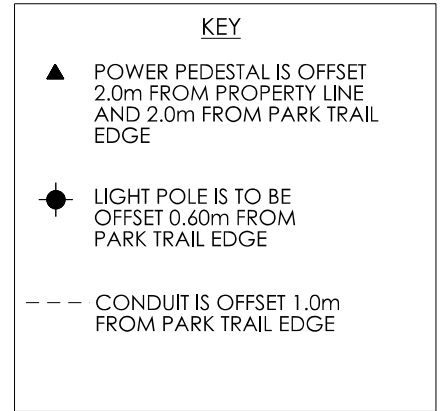
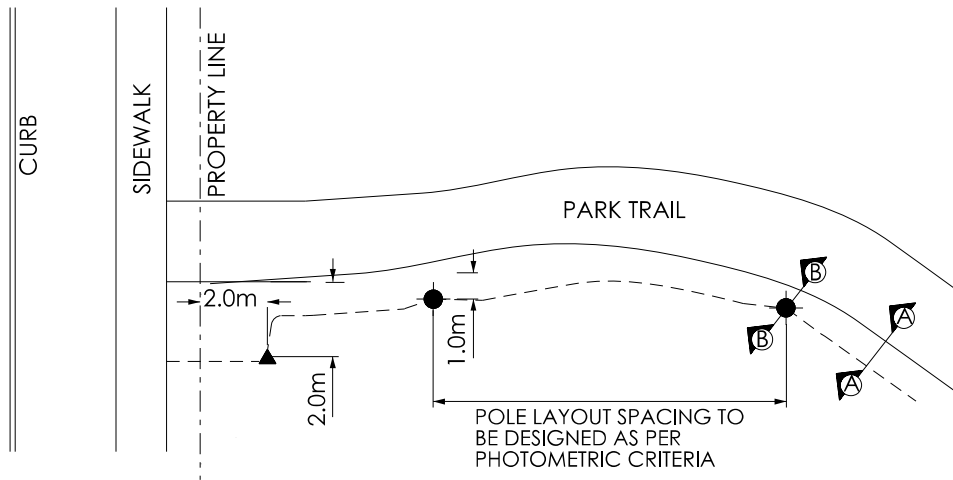


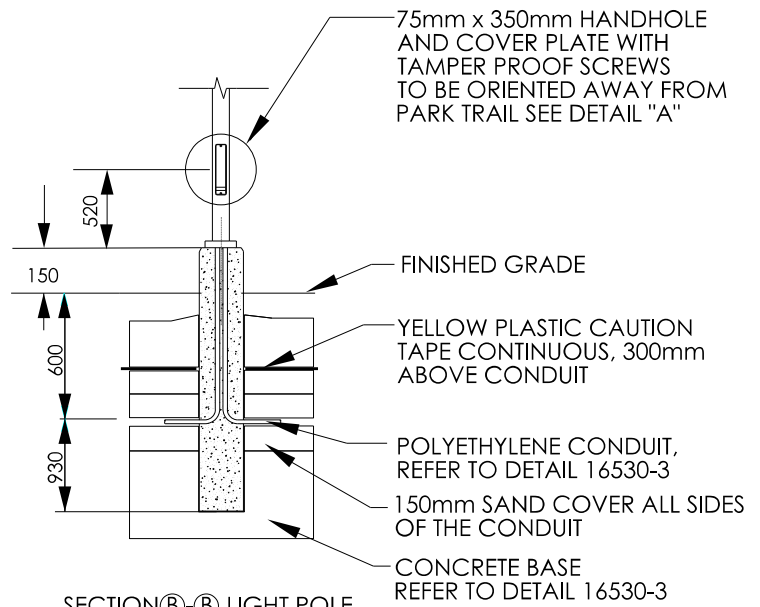
16530-1

Lighting & Electrical Trail Lighting Pole/Conduit/Trench Location

NOTE:
To be used as a Guideline only. Not to scale.
Remove City title block & redraw to represent
site specific conditions.
All site specific conditions are to be confirmed
by the project consultant.



SECTION A-A TRENCH CONDUIT



SECTION B-B LIGHT POLE

NOTES:

1. REFER TO ASPHALT PARK TRAIL DETAIL NO. 02510-1.
2. TRENCH TO BE SET BACK 1000mm FROM PARK TRAIL EDGE.
3. LIGHT POLE TO BE SET BACK 600mm FROM PARK TRAIL EDGE.
4. POWER PEDESTAL TO BE SET BACK 2000mm FROM PARK TRAIL EDGE AND 2000mm FROM PROPERTY LINE.
5. POLE SPACING IS TO BE DETERMINED BY A CERTIFIED ELECTRICAL ENGINEER.
6. ELECTRICAL CONNECTION TO BE MADE BY ENERSOURCE AFTER E.S.A. APPROVAL.
7. ALL DIMENSIONS ARE IN MILLIMETRES UNLESS OTHERWISE NOTED.
8. ARRANGE INSPECTIONS OF WORK PER SPECIFICATION.
9. REFER TO DETAIL 16530-18 PHOTOMETRIC CRITERIA FOR TRAIL LIGHTING FOR POLE LAYOUT.