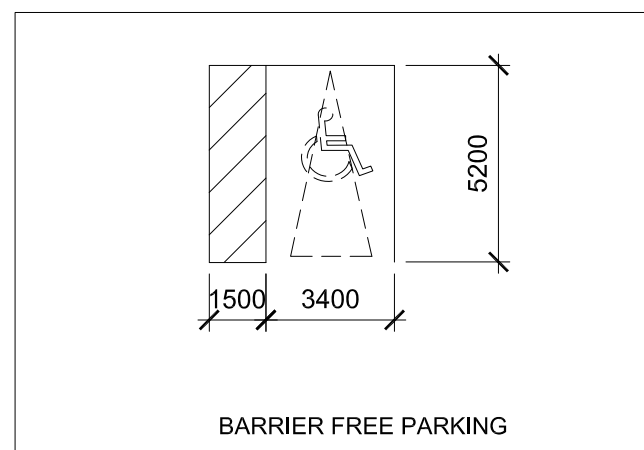
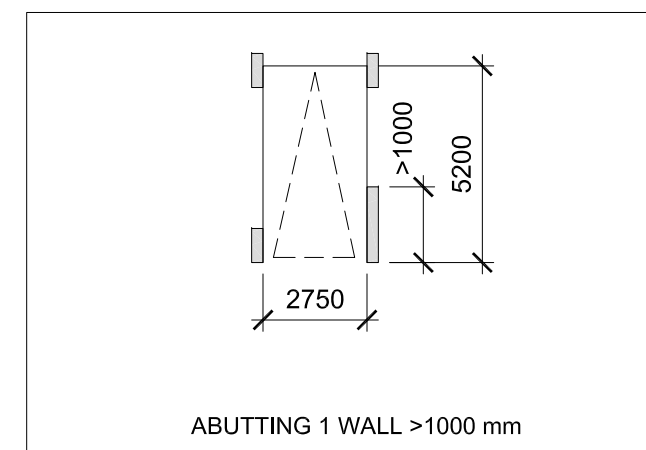


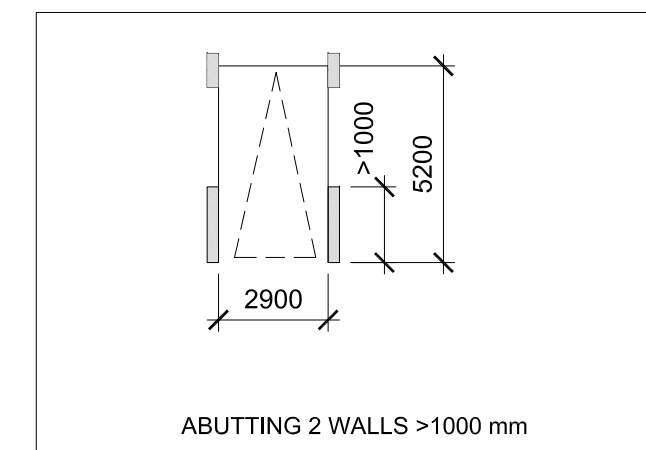
2 TYPICAL PARKING  
NTS



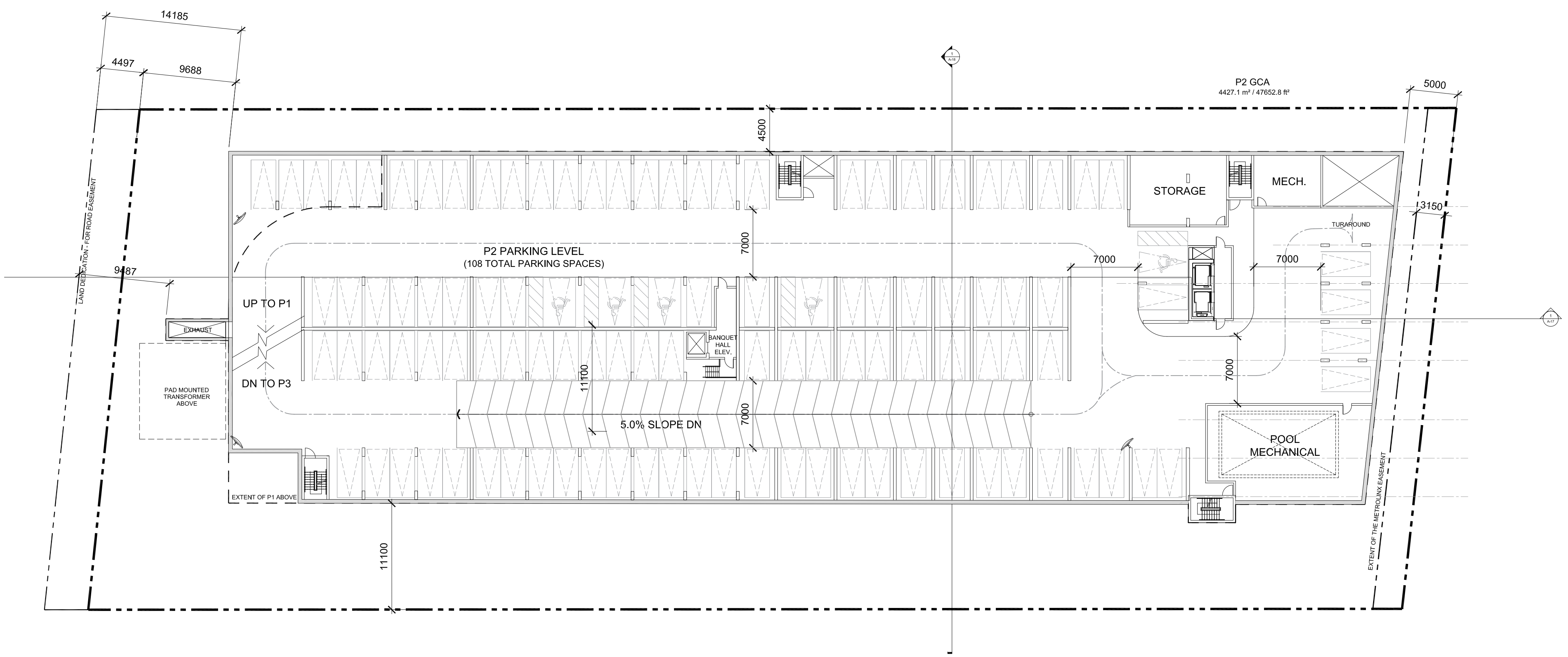
3 BARRIER FREE PARKING  
NTS



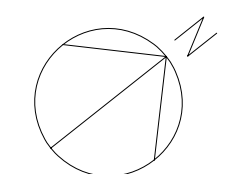
4 ABUTTING 1 WALL >1000 mm  
NTS



5 ABUTTING 2 WALLS >1000 mm  
NTS



1 P2 PARKING FLOOR PLAN  
1:300



| ISSUE |            |                                    |     | REVISIONS |             |     |      |             |
|-------|------------|------------------------------------|-----|-----------|-------------|-----|------|-------------|
| No.   | DATE       | DESCRIPTION                        | No. | DATE      | DESCRIPTION | No. | DATE | DESCRIPTION |
| 1.    | 2019.05.09 | ISSUED FOR RE-ZONING               |     |           |             |     |      |             |
| 2.    | 2020.04.09 | ISSUED FOR RE-ZONING RE-SUBMISSION |     |           |             |     |      |             |
| 3.    | 2021.03.04 | ISSUED FOR RE-ZONING RE-SUBMISSION |     |           |             |     |      |             |

ALL DIMENSIONS ARE TO BE CHECKED ON SITE BY THE CONTRACTOR. ANY DISCREPANCIES ARE TO BE REPORTED TO THE ARCHITECT BEFORE PROCEEDING WITH THE WORK. DRAWINGS ARE NOT TO BE SCALED.

© COPYRIGHT IBI GROUP ARCHITECTS. ALL RIGHTS RESERVED. IBI GROUP ARCHITECTS RETAINS ALL RIGHTS OF OWNERSHIP AND COPYRIGHT IN THE ELECTRONIC FILES AND REPRODUCTIONS THEREOF. THEY MAY BE REPRODUCED ONLY FOR LEGITIMATE PURPOSES RELATING TO THE SPECIFIC PROJECT FOR WHICH THEY WERE PRODUCED. THEY MAY NOT BE ALTERED IN ANY WAY WITHOUT THE EXPRESS WRITTEN APPROVAL OF THE ARCHITECTS.

**IBI GROUP ARCHITECTS (CANADA) INC.**  
 7th Floor-55 St. Clair Avenue West  
 Toronto ON M4V 2Y7 Canada  
 tel 416 596 1930 fax 416 596 0644  
 ibigroup.com

|   |                          |
|---|--------------------------|
| OWNER:<br><b>FLATO DEVELOPMENTS INC.</b>        | DATE                     |
| DRAWING TITLE:<br><b>6710 HURONTARIO STREET</b> | SCALE:<br><b>1300</b>    |
| CHECKED BY:<br><b>P2 PARKING FLOOR PLAN</b>     | JOB No.:<br><b>15783</b> |
|   | DWG. No.:<br><b>A 05</b> |