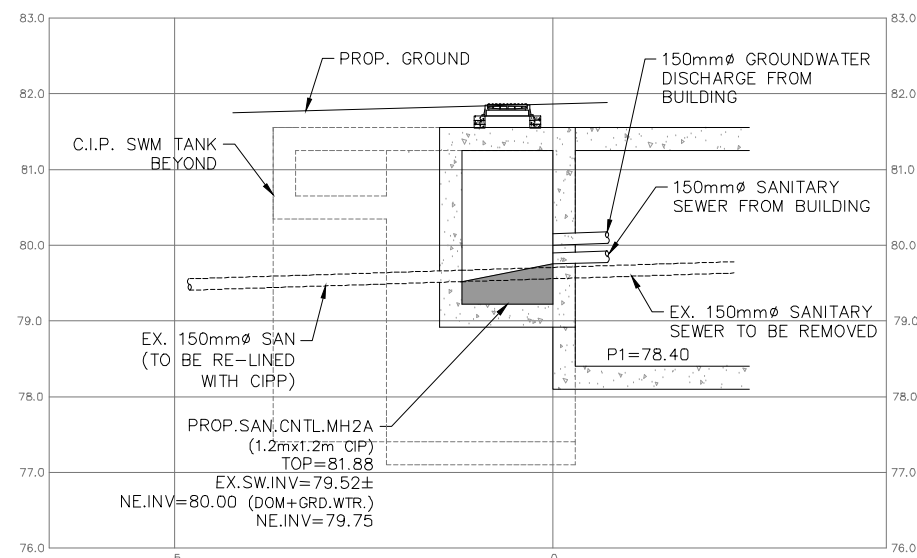


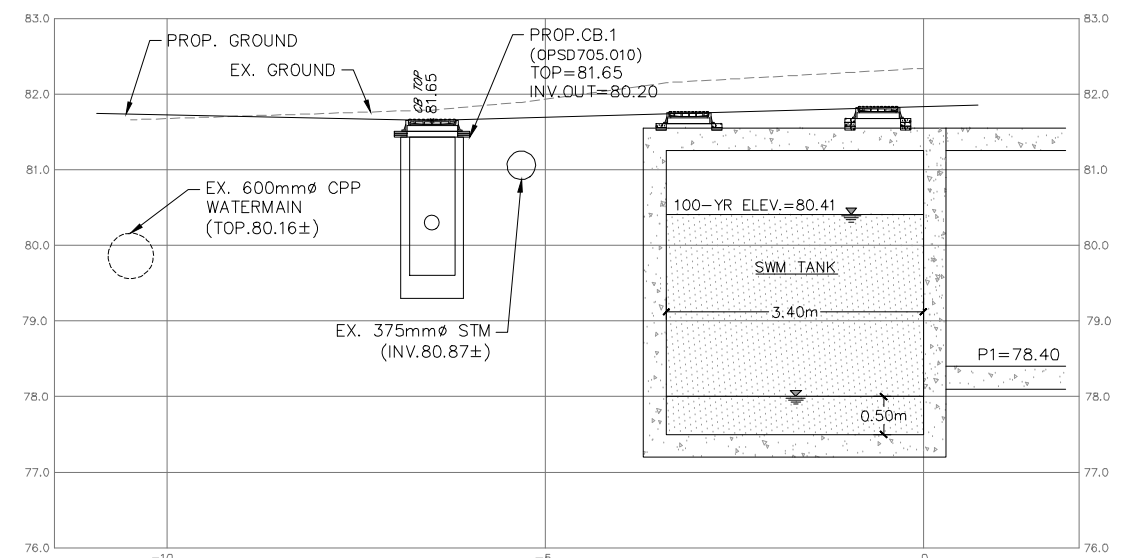
SECTION A: WATER SERVICE

SCALE: 1:100 HORIZ.
1:100 VERT.



SECTION B: SANITARY SERVICE

SCALE: 1:100 HORIZ.
1:100 VERT.



SECTION C: CATCHBASIN 1

SCALE: 1:100 HORIZ.
1:100 VERT.

- AD.1 PROP AREA DRAIN
- CB.1 PROP CATCHBASIN
- MH.1 PROP STORM MANHOLE
- MH.1A PROP SANITARY MANHOLE
- PROP HYDRANT

LEGEND

- ☐ FFE=93.74 PROP FINISHED FIRST FLOOR ELEV.
- ☐ P1=93.37 PROP FINISHED P1 ELEV.
- ⊗ PROP VALVE AND BOX
- PROP WATER SERVICE CONNECTION
- PROP SANITARY SEWER / SERVICE
- PROP STORM SEWER / SERVICE

DWN. BY:	R.D.F.
DESIGNED BY:	R.D.F.
CHECKED BY:	R.D.F.
SCALE:	AS NOTED
DATE:	20 APR 2021
SHEET NO:	2 OF 3

fabian papa & partners
A Division of FP&P HydraTek Inc.

216 Chrislea Road, Suite 204
Vaughan, Ontario, L4L 8S5
t: 905-264-2420
www.fabianpapa.com

PROJECT NO: 19002	DWG NO: DET-1	REV NO: 1
----------------------	------------------	--------------

PROJECT NAME: 958-960 EAST AVENUE RESIDENTIAL DEVELOPMENT
DRAWING TITLE: SITE SERVICING SECTIONS