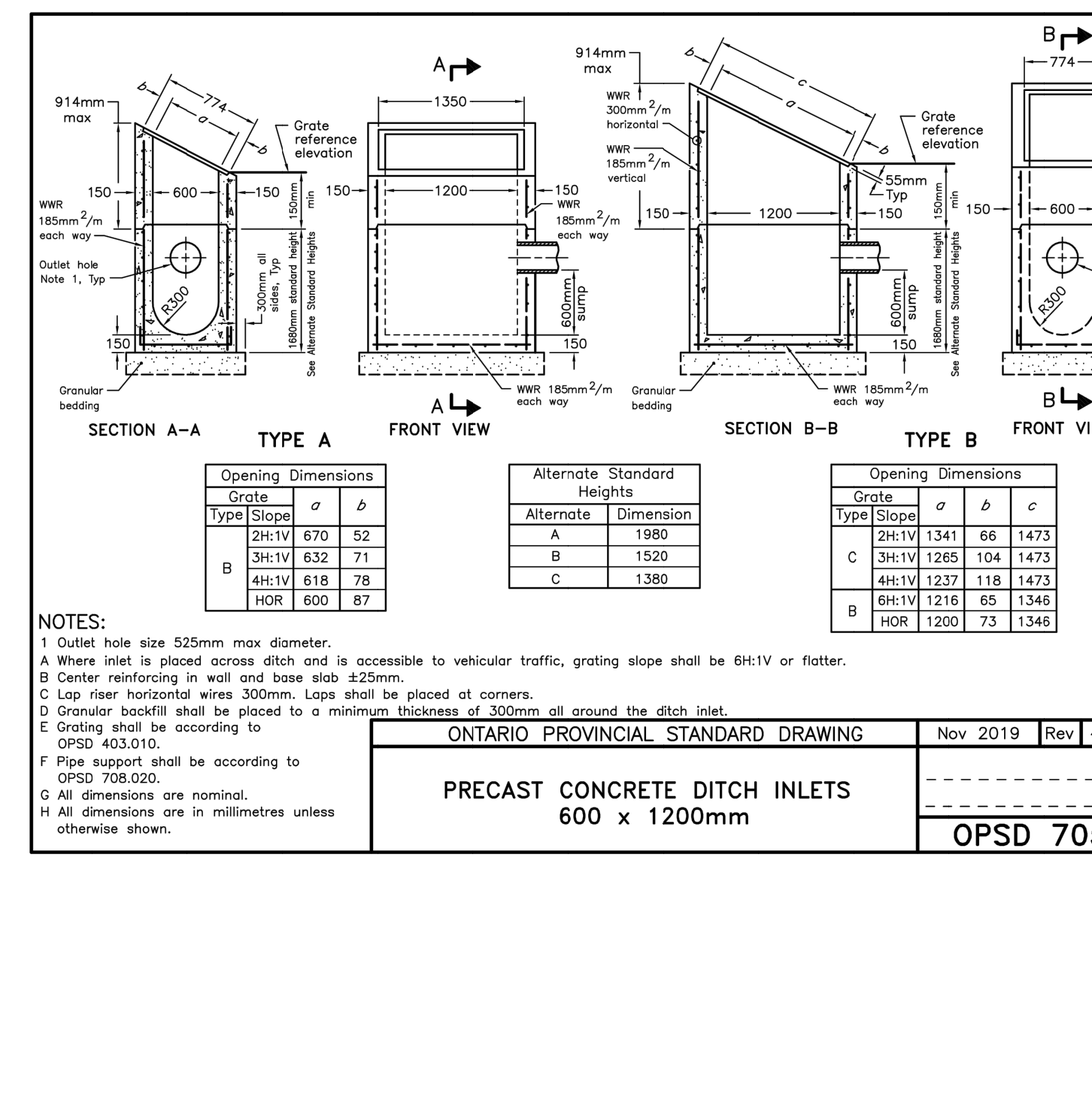
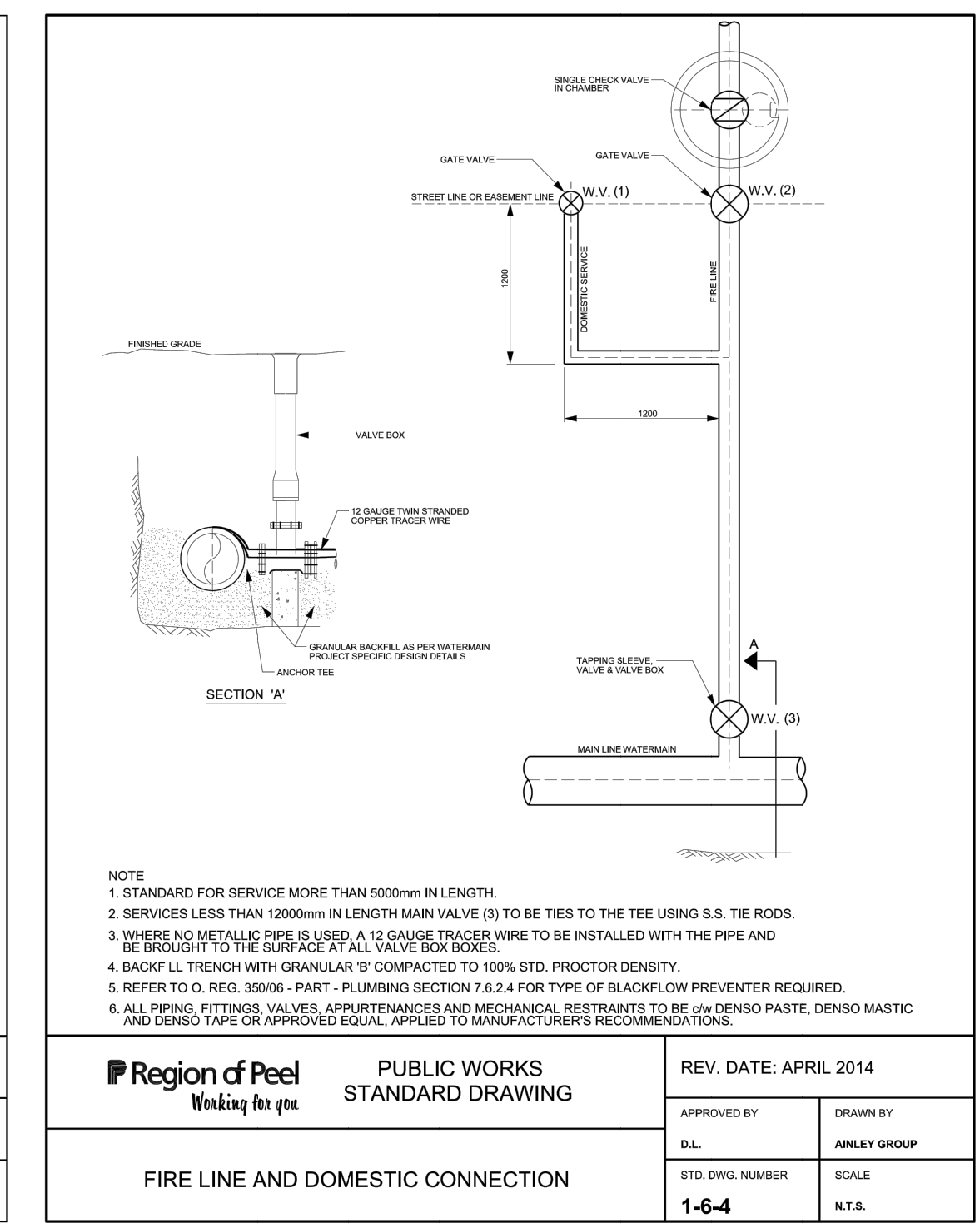
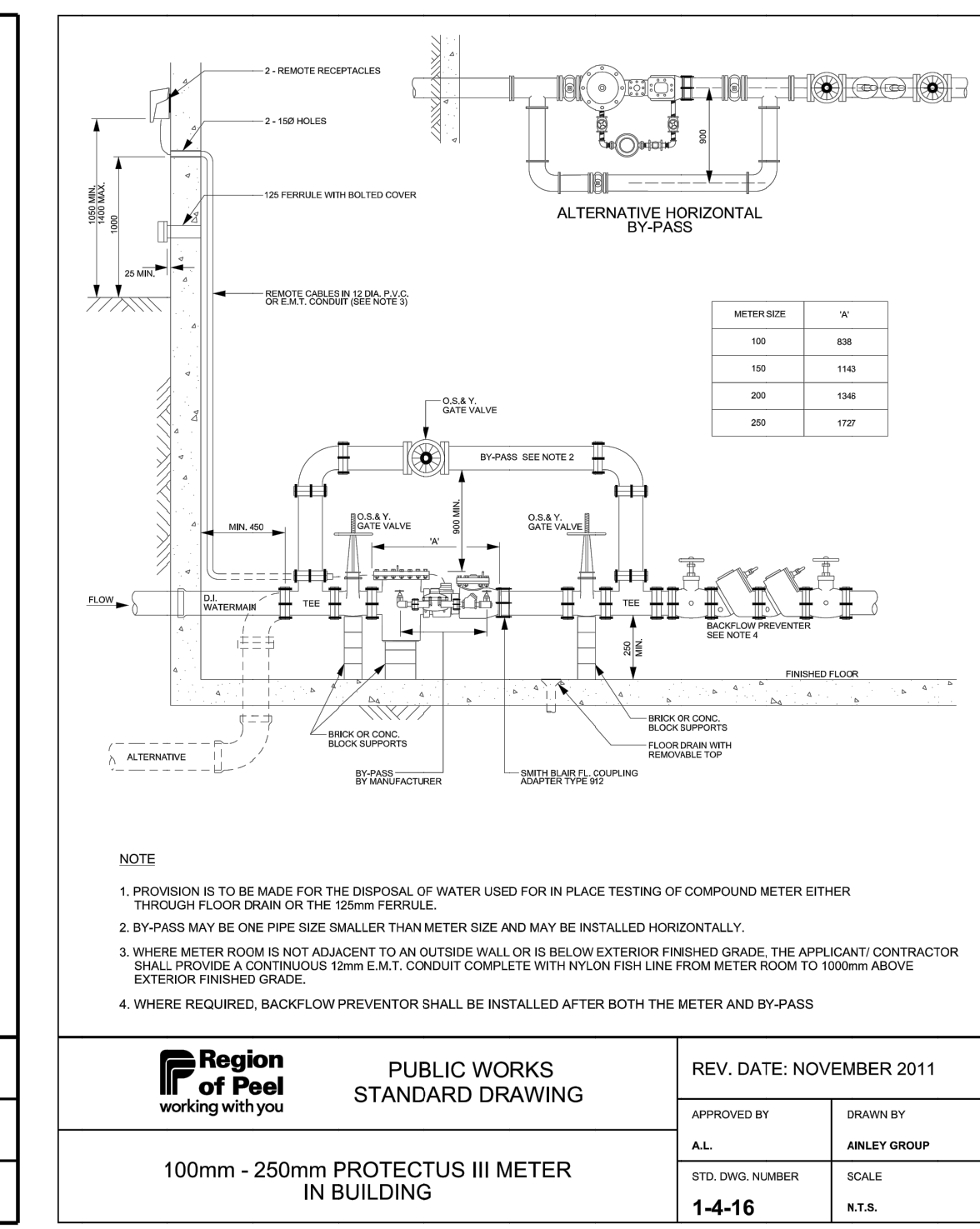
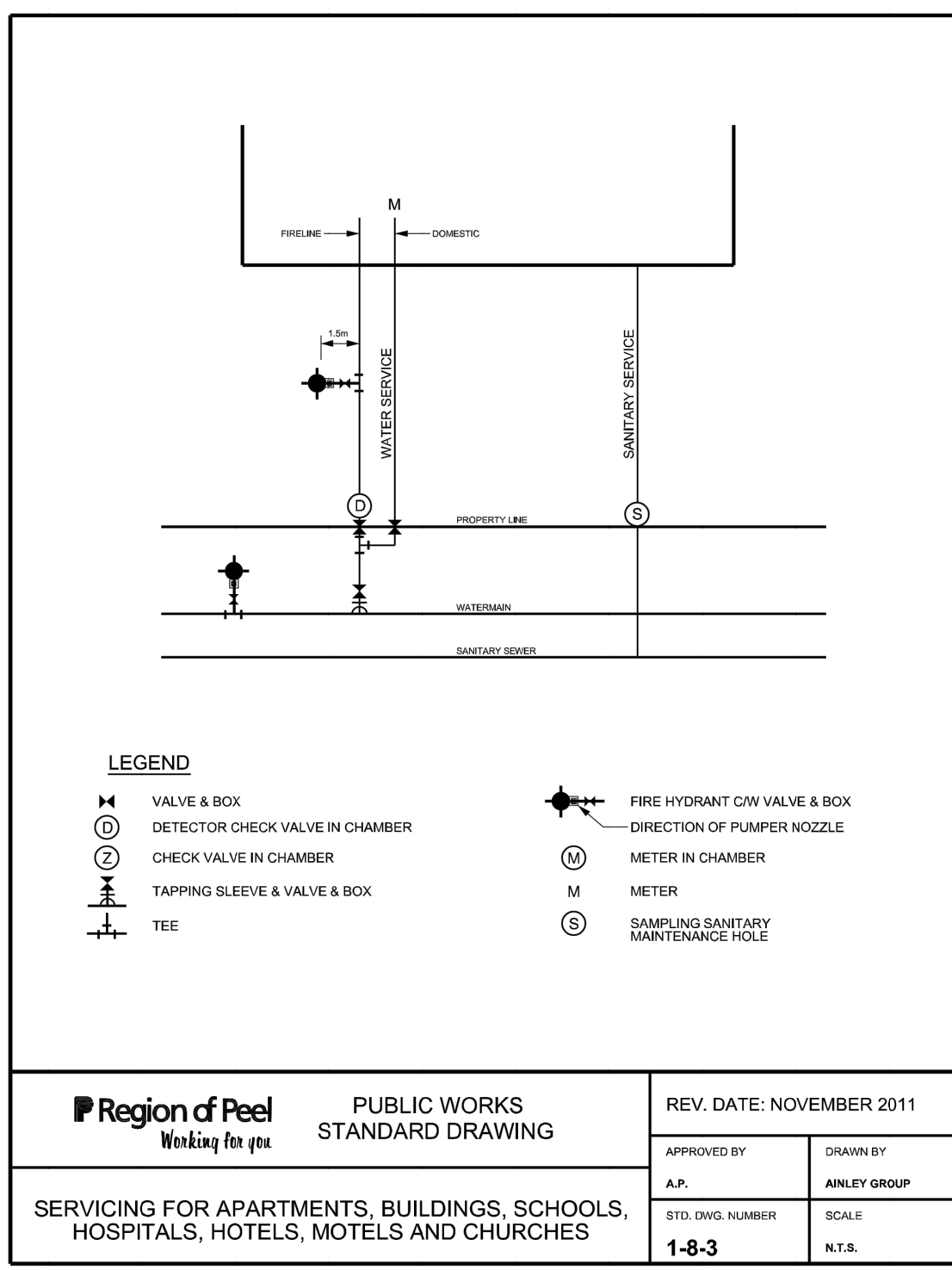
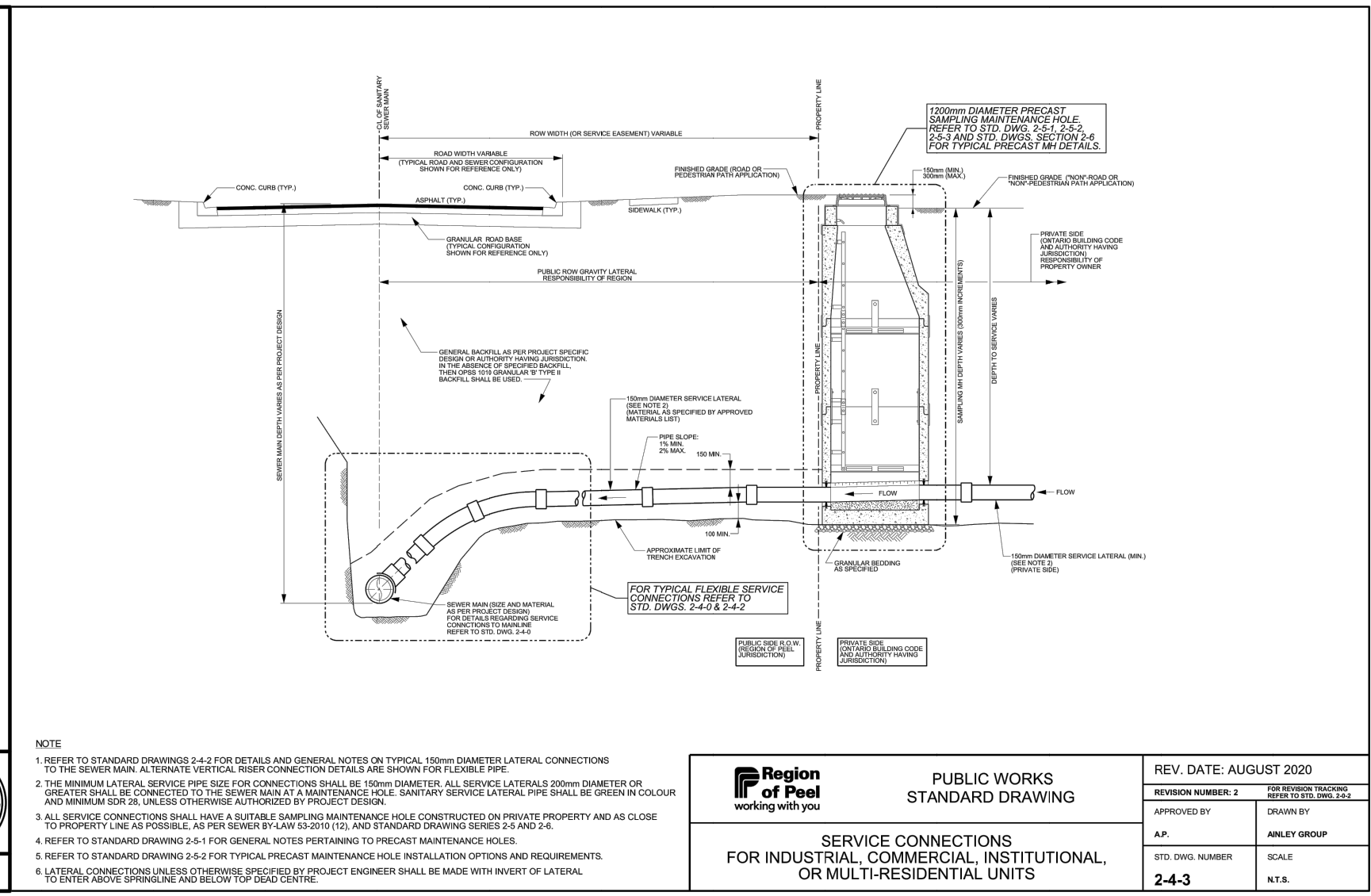
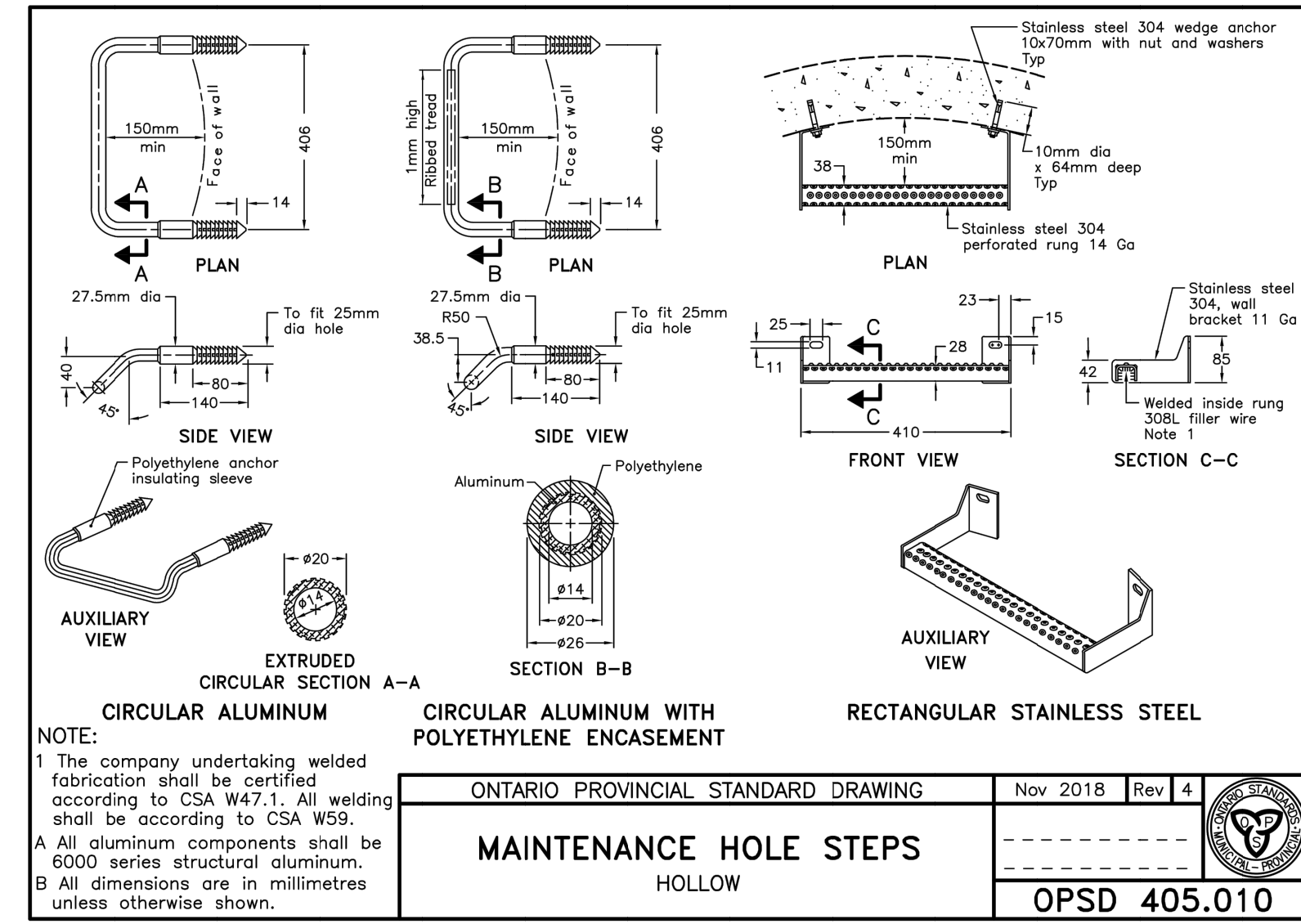
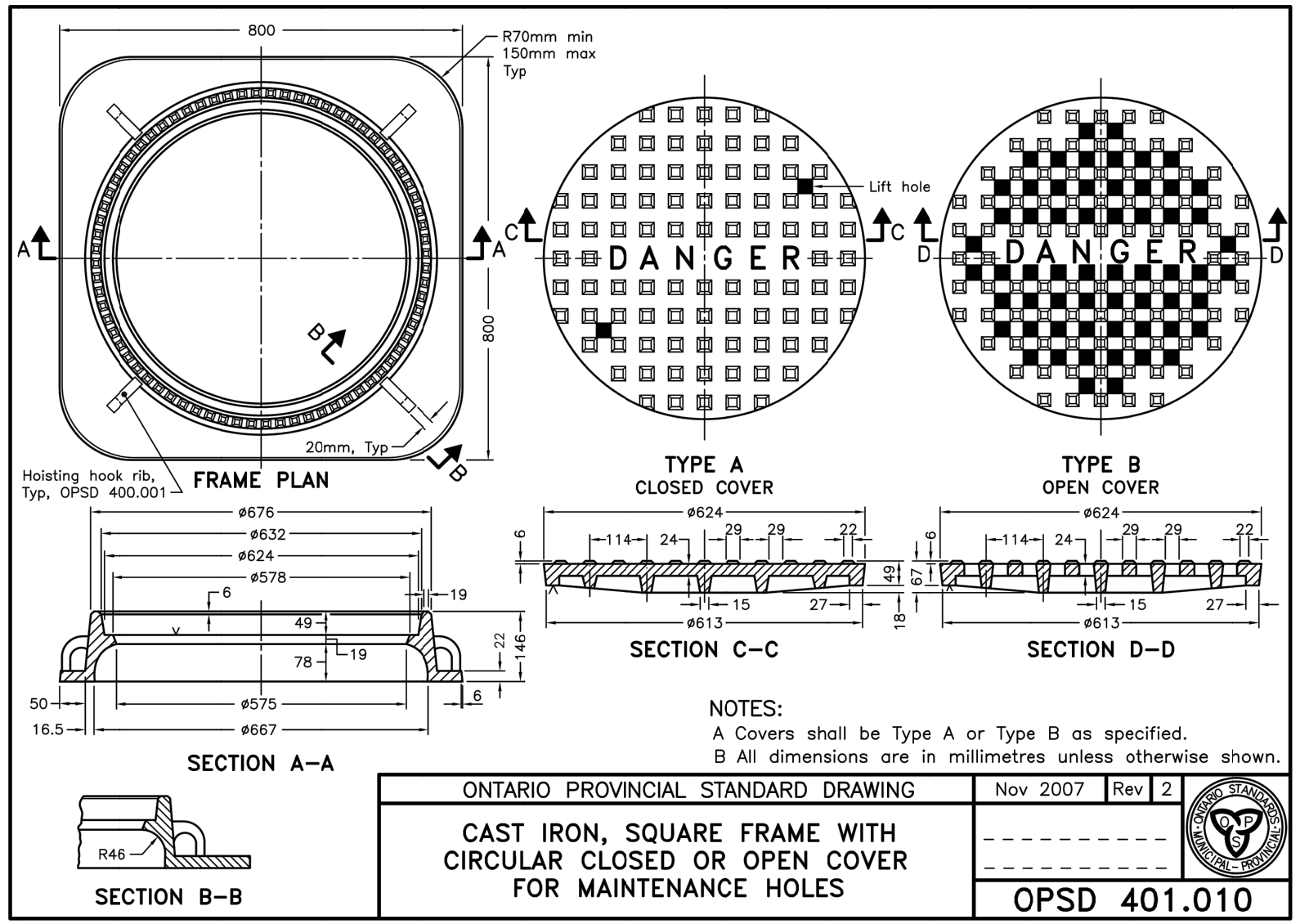


LEGEND

250 PVC SAN SEWER
10.5M - 200MM PVC CLASS 150 (SDR-18) FIRE WM
5.5M - 150MM PVC CLASS 150 (SDR-18) DOM. WM



SURVEY INFO.

KRCMAR 1137 CENTRE ST. THORNHILL, ON L4J 3M6
PHONE: (905) 738-0053
FAX: (905) 738-9221

BENCHMARK

ELEVATIONS SHOWN HEREON ARE MISSISSAUGA DATUM AND ARE RELATED TO CITY OF MISSISSAUGA BENCH MARK NO. 075033019 HAVING A PUBLISHED ELEVATION OF 167.744M.

SITE PLAN INFO.

AS ARCHITECTS
130 QUEENS QUAY EAST SUITE 1018
TORONTO, ON M5A 0P6
PHONE: (416) 466-0100

LIST OF DRAWINGS

001 - NOTES AND DETAILS
002 - DETAILS AND SECTIONS
101 - SERVICING PLAN
401 - GRADING PLAN
601 - ESC PLAN

NO.	ISSUE	DATE	BY
2	ISSUED FOR SPA	07/20/23	LPM
1	ISSUED FOR REZONING APPLICATION	12/06/21	LPM
		MM/DD/YY	BY

Region of Peel Working for you

OPSD 100824283
July 20, 2023
PROVINCE OF ONTARIO

SITEPLANTECH INC.
50 ST. CLEMENTS AVENUE
TORONTO, ON M4R 1G9
PHONE: (416) 270-7515

MISS B.J.L. CORP.
21-51 QUEEN ST. N.
MISSISSAUGA, ON

DETAILS AND SECTION PLAN

PROJECT No.: 21-003
DRAWING: 002

P:\21-003 - 21-51 Queen St. N. - Mississauga\21-003\21-003-002 - BNS.dwg (0/0)