

All Drawings, Specifications, and Related Documents are the Copyright of the Architect. The Architect retains all rights to control all uses of these documents for the intended issuance/use as identified below. Reproduction of these Documents, without permission from the Architect, is strictly prohibited. The Authorities Having Jurisdiction are permitted to use, distribute, and reproduce these drawings for the intended issuance as noted and dated below, however the extended permission to the Authorities Having Jurisdiction in no way debases or limits the Copyright of the Architect, or control of use of these documents by the Architect.

Do not scale the drawings.  
This Drawing is Not To Be Used For Construction Until Signed By The Architect.

Date:

**KIRKOR**  
ARCHITECTS AND PLANNERS  
20 De Boers Drive Suite 400  
Toronto, ON M3J 0H1

Revisions:		Date:
No.:	Revision:	

4	Revised as per City's Comments	Nov. 13, 2023
3	Revised as per City's Comments	Oct. 16, 2023
2	Rezoning Re-submission	June 23, 2023
1	Rezoning Submission	Oct. 31, 2022

No.:	Issued For:	Date:
------	-------------	-------

Client:  
**KJC PROPERTIES INC.**

**805 Dundas Street East, Mississauga, ON.**  
Proposed Residential Development

Drawing Title:  
**Parking Floor Plan - Level P2**

Scale:  
**As indicated**

Drawn by:

**G.H.**

Checked by:

**D.S.**

Project No.:

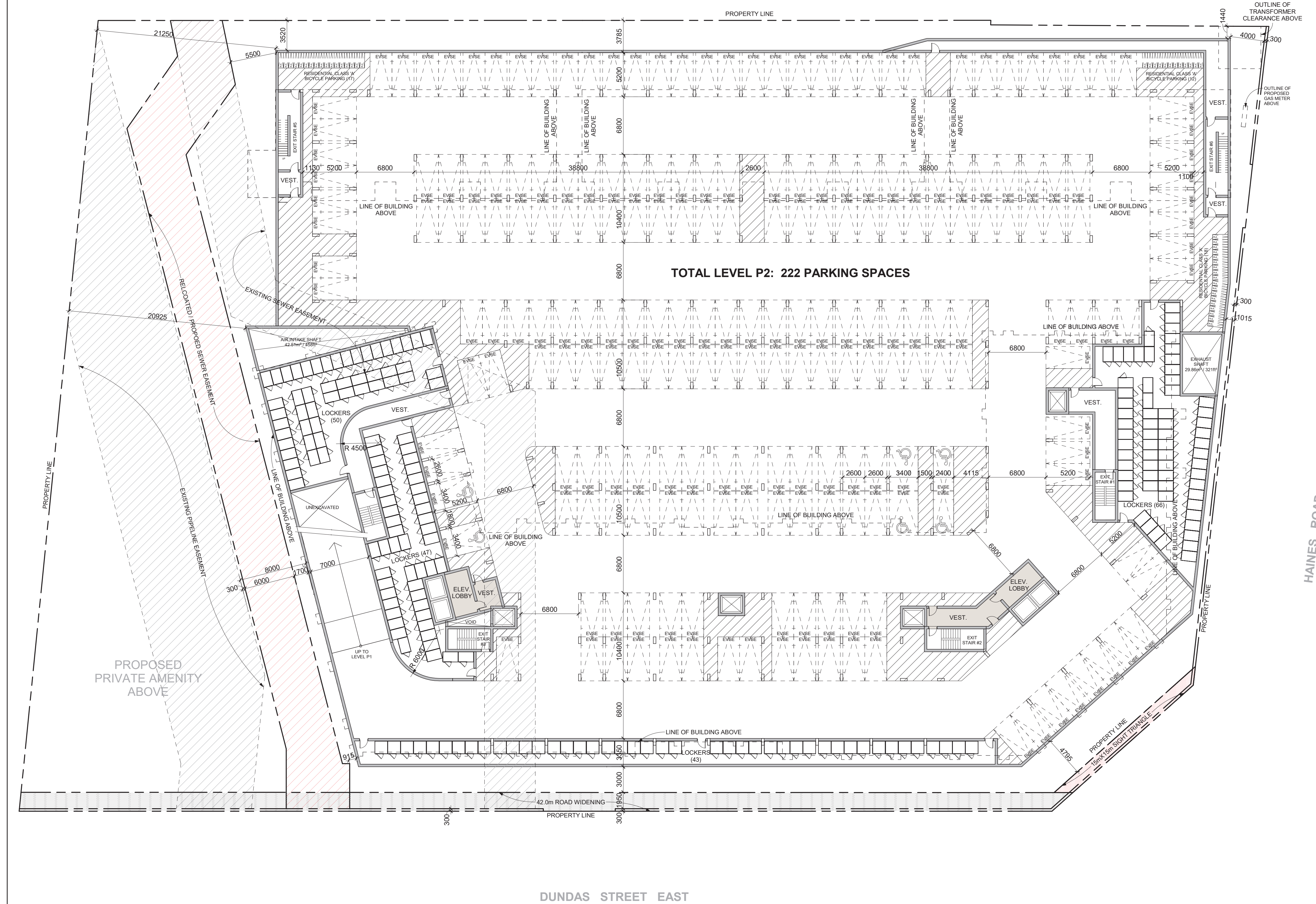
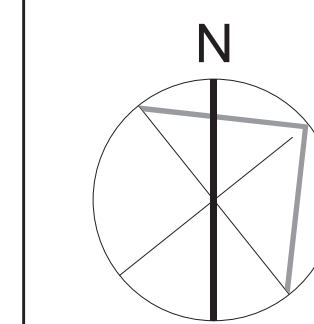
**21-115**

Date:

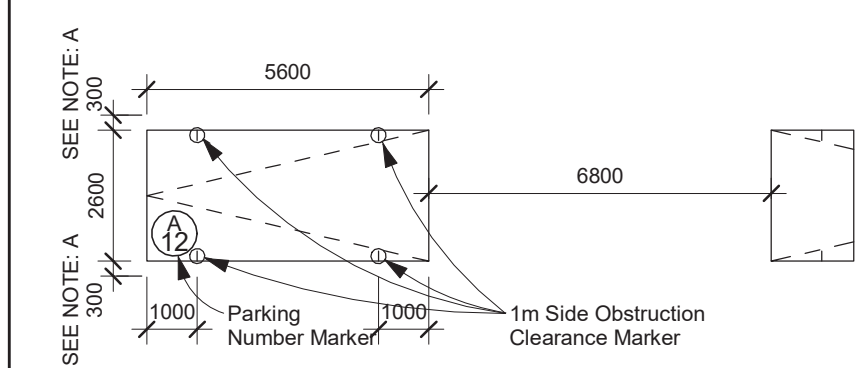
**NOV. 13, 2023**

Drawing No.:

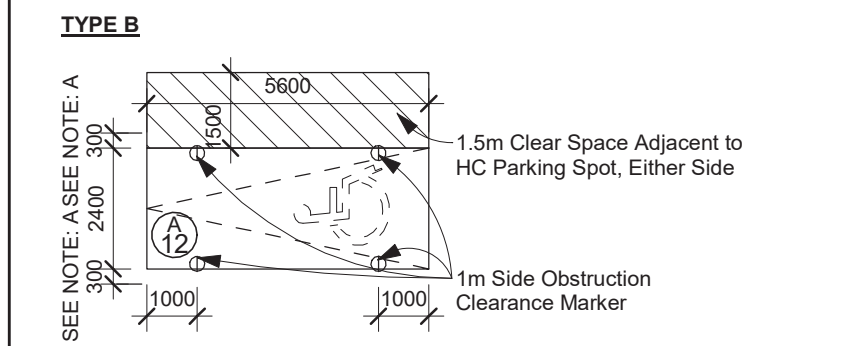
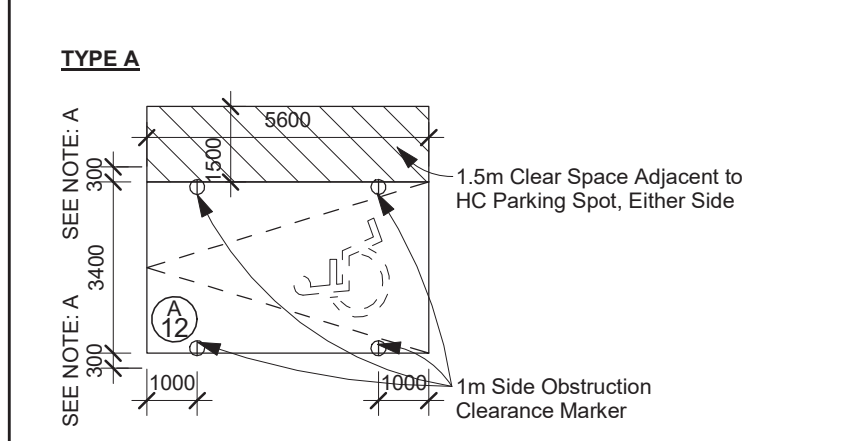
**dA2.01**



**TYPICAL PARKING SPACE:**  
Drive Aisle @ 6.8m min.

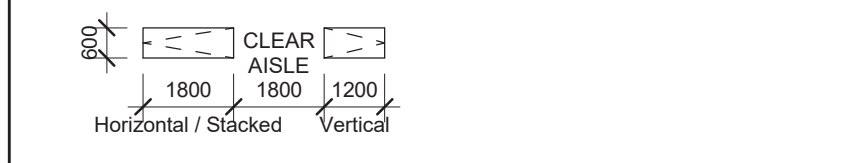


**ACCESSIBLE PARKING SPACE:**



NOTE: A: PROVIDE AN ADDITIONAL 300mm FOR PARKING SPACE WIDTH WHEN OBSTRUCTIONS OCCUR BETWEEN THE FRONT AND REAR 1000mm

**BICYCLE PARKING SPACE LEGEND**



**CONVEX MIRROR**



Parking Space Legend **2**  
NTS dA2.01

Floor Plan - Level P2 **1**  
1 : 250 dA2.01

Plot Date: 11/13/2023 9:27:27 AM File Path: C:\Users\3201\Documents\2023\805 Dundas Street East\_P2.dwg Plot Date: 11/13/2023 9:27:27 AM File Path: C:\Users\3201\Documents\2023\805 Dundas Street East\_P2.dwg