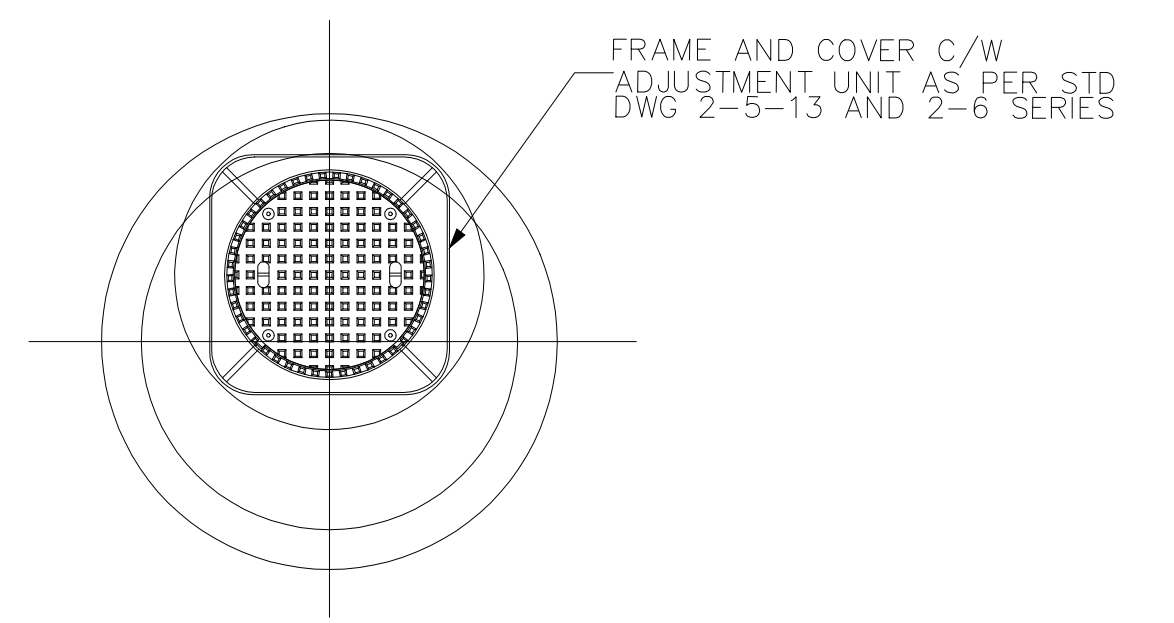


PLAN BELOW GROUND
N.T.S.

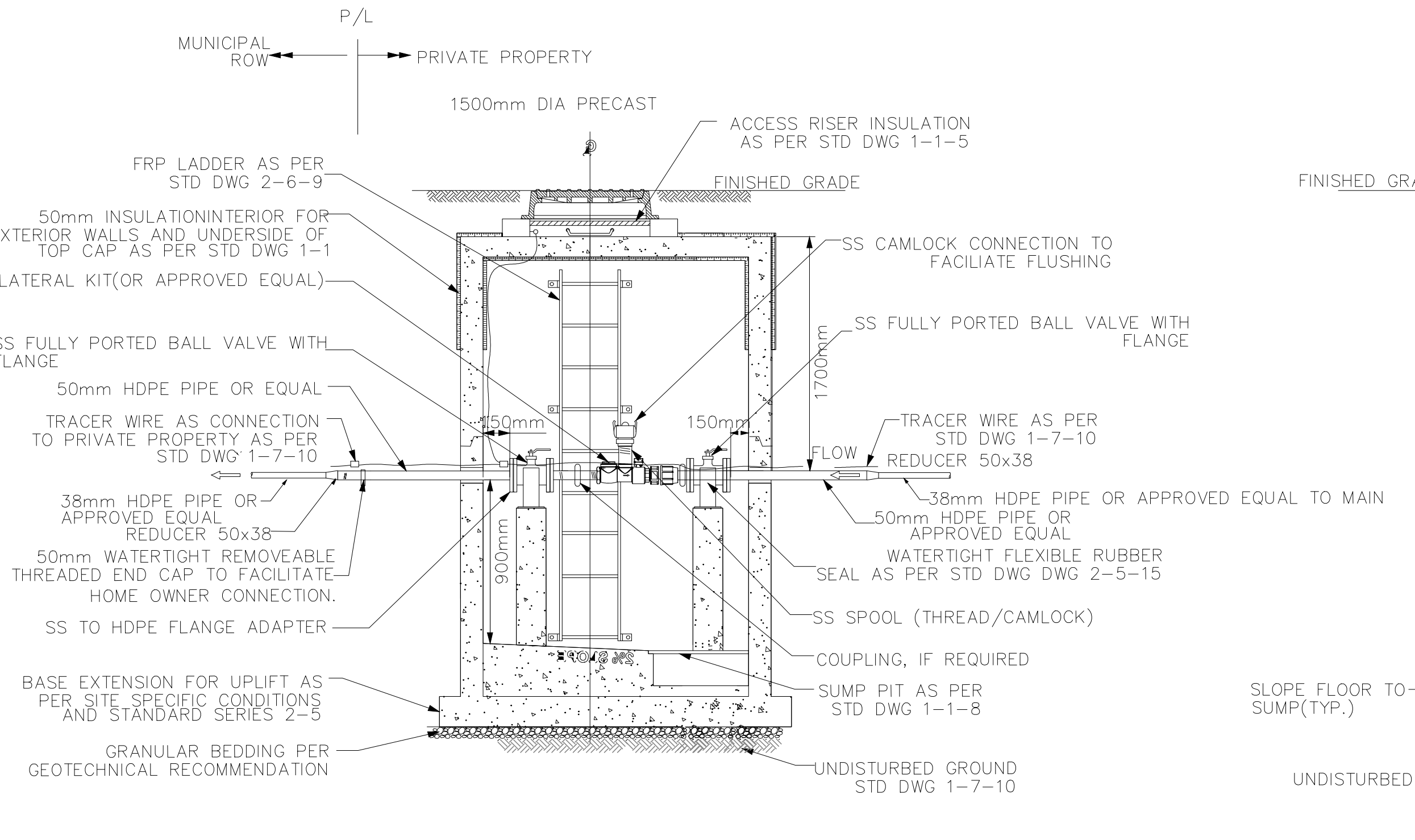
NOTE:
THIS DRAWING IS TRACED FROM THE IBI DRAWING AS PER INSTRUCTION FROM THE REGION.
THE REGION REQUIRED THE CONSULTANT TO ADD ONE MORE BALL VALVE DOWNSTREAM END
CONSULTANTS DON'T BEAR THE RESPONSIBILITY OF ANY TECHNICAL ISSUE.



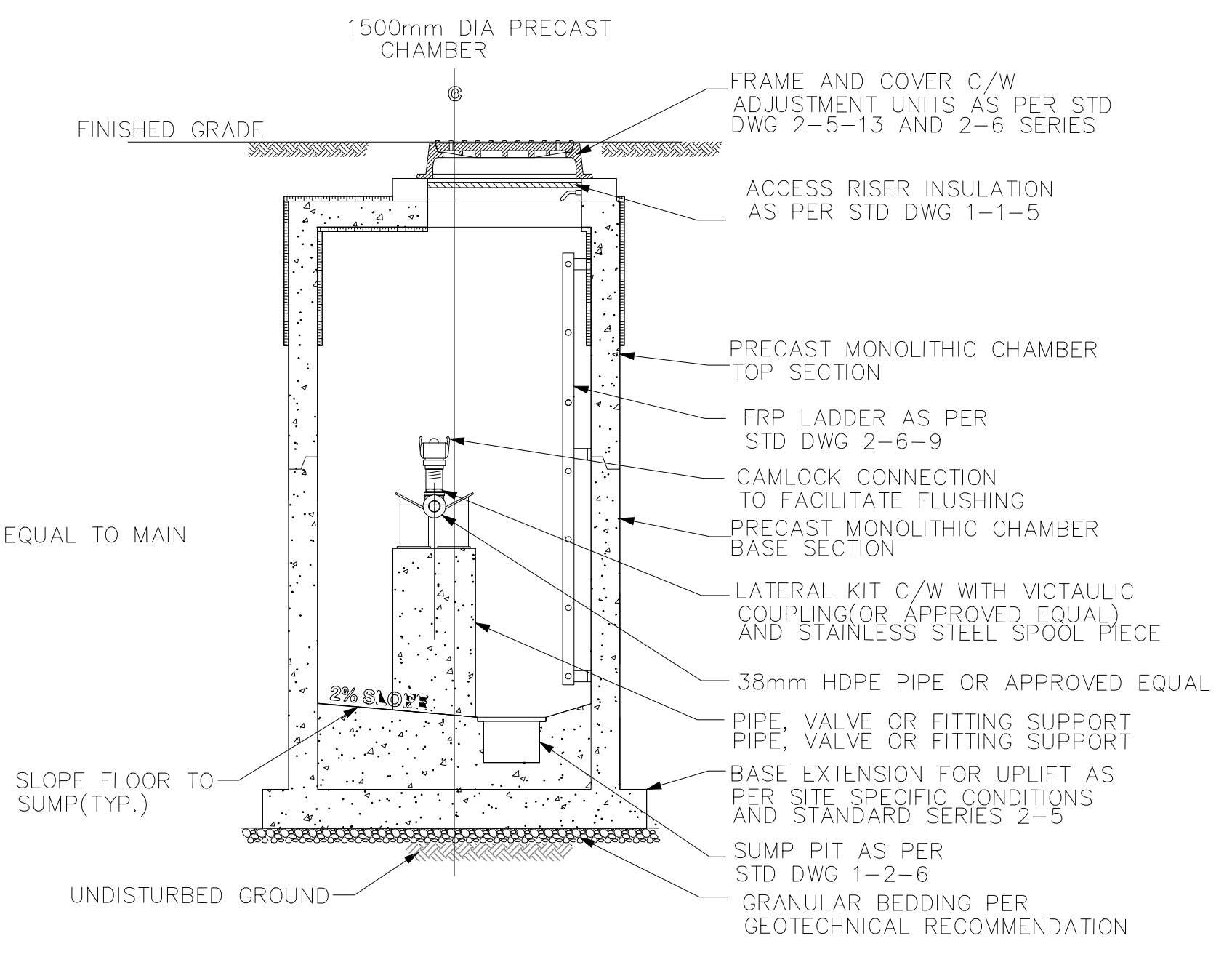
PLAN ABOVE GROUND

NOTES:

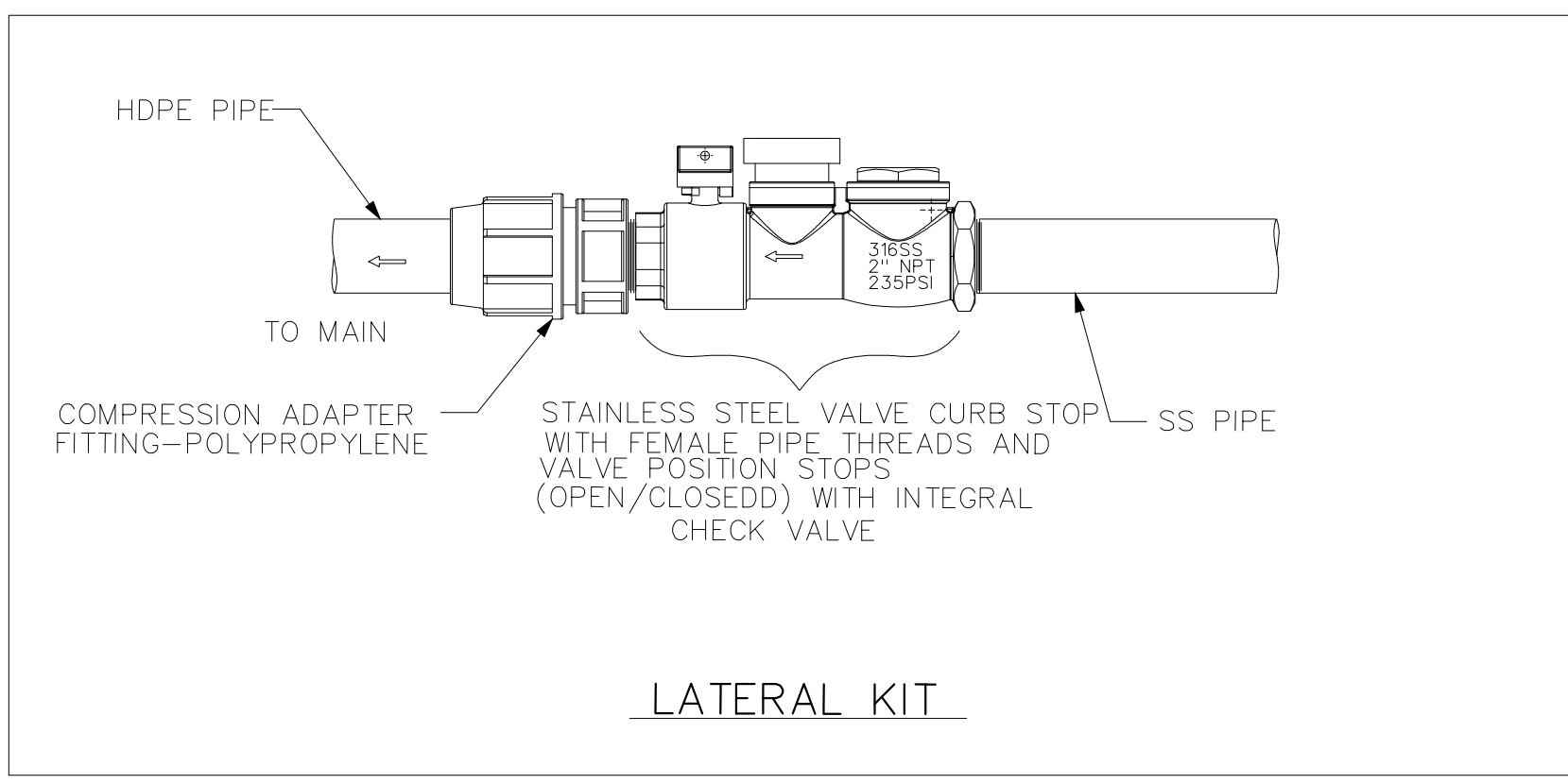
1. ALL DIMENSIONS ARE IN MILLIMETERS UNLESS NOTED OTHERWISE.
2. ALL FORCEMAIN PIPE FITTINGS, AND VALVES INSIDE CHAMBER SHALL BE CONSTRUCTED WITH METAL COMPONENTS. ALL METAL COMPONENTS SHALL BE STAINLESS STEEL.
3. CHAMBER SIZE AND DEPTH MAY VARY AS PER PROJECT SPECIFIC REQUIREMENTS.
4. CONCRETE SUPPORT SHALL BE PROVIDED FOR CHAMBER INTERNAL COMPONENTS AS NEEDED.
5. CONTINUOUS TRACER WIRE SHALL BE USED ALONG FORCEMAIN PIPE WITH ABILITY TO CONNECT AT EACH CHAMBER OR STUBBED END AS PER STD DWG 1-7-10.
6. ALL CONTROL VALVE SIZE SHALL MATCH PIPING SIZE, AND SHALL BE 1/4 TURN.
7. CHAMBER SHALL FOLLOW ALL APPLICABLE REGIONAL STANDARDS AND DRAWINGS.
8. CHAMBER ACCESS OPENING AND LADDER SHALL BE POSITIONED TO FACILITATE DRAINING OF THE SUMP PIT.
9. FRAME AND COVER SELECTED SHALL BE BASED ON THE ASSESSMENT OF THE LOCAL SURFACE AND DRAINAGE CONDITIONS AND IN ACCORDANCE WITH THE REGION FRAME AND COVER STD DWGS IN SERIES 2-6.
10. THIS DRAWING SHALL BE READ IN CONJUNCTION WITH STD DWGS: 1-1-5, 2-0-1, 2-5 SERIES AND 2-6 SERIES.
11. CHAMBER FLOOR SHALL BE SLOPED TOWARDS SUMP PIT AS PER STD DWG 1-1-8.
12. ALL METAL COMPONENTS AND SURFACES (INCLUDING STAINLESS STEEL) SHALL BE COATED WITH A PETROLEUM TAPE SYSTEM AND INSTALLED PER MANUFACTURER'S RECOMMENDATIONS.
13. ALL PIPE BEDDING AND BACKFILL AS PER STD DWG SERIES 2-3.
14. INSTALL APPROVED ANTI-GALLING / ANTI-SEIZING LUBRICANT AT ALL THREADED PIPES AND / OR FITTINGS.
15. CHAMBER WATERPROOFING AS PER STD DWG 2-5-25.




SECTION A
N.T.S.



SECTION B
N.T.S.



LATERAL KIT

| | | |
|---|---|----------------------|
| DRAWN BY AND CHECKED BY Muhammad Tamol | | Approved by |
|  Region of Peel Working with you | | |
| PRIVATE CONNECTION TO REGION LOW PRESSURE SANITARY SEWER IN STANDRAD CHAMBER DETAILS | | |
| CHECKED BY M.F.I | ADDRESS 2045 HEARTWOOD COURT MISSISSAUGA | PROJECT No. |
| DATE MAY 22 2024 | CHECKED BY M.F.I | DWG. HEART-CD02-D |
| SHEET 1 OF 1 | REV. | 2. |